



Lancaster Table & Seating 50 lb. Black Square Steel Umbrella Base

#427BASESTSLQ

Item #: 427BASESTSLQ Qty: _____

Project: _____

Approval: _____ Date: _____



Features

- 50 lb. weight keeps umbrellas securely in place
- Sturdy design holds umbrella poles up to 1 1/2" in diameter
- Square shape adds a modern touch to outdoor spaces
- Steel construction provides superior stability
- Compact to maximize leg and foot space

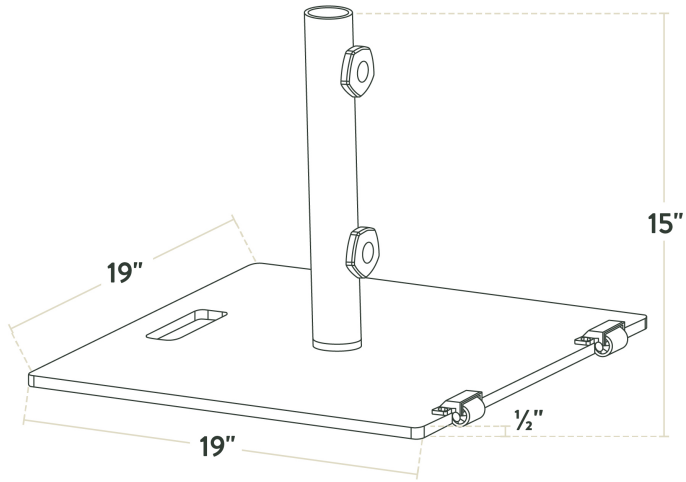
Technical Data

Length	19 Inches
Width	19 Inches
Height	15 Inches
Compatible Pole Diameter	1 1/2 Inches
Assembled	Assembly Required
Color	Black
Frame Material	Aluminum
Material	Steel
Number of Holes	1 Hole

Technical Data

Shape	Square
Type	Bases
Weight	50 lb.

Plan View



#427BASESTLQ / #427BASEKSSQ

Notes & Details

Keep your umbrellas securely upright and in place with this Lancaster Table & Seating 50 lb. black square steel umbrella base. This umbrella base is constructed of durable steel that ensures your umbrella won't blow away or tip over when it's windy outside. It's suitable for holding umbrellas with poles 1 1/2" in diameter. Plus, its 50 lb. weight allows it to be sturdy yet lightweight enough to relocate if you need to use it elsewhere. Because of its weight, this umbrella base needs to be lifted with caution and preferably with the help of a second person to ensure employee safety.

This umbrella base's black color and modern square shape are sure to add an upscale touch to your outdoor seating. Its steel construction is not easily breakable, so you can use it with confidence in a commercial setting. Plus, its compact design maximizes leg and foot space! The post can also be removed from the base for convenient storage. Reach for this Lancaster Table & Seating umbrella base to upgrade your outdoor seating experience!

⚠ WARNING: This product can expose you to chemicals including lead, which are known to the State of California to cause cancer, birth defects, or other reproductive harm. For more information, go to www.p65warnings.ca.gov.