

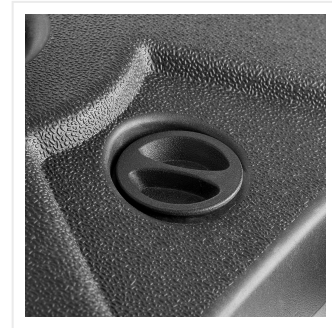
Lancaster Table & Seating Black Plastic Fillable Umbrella Base

#427BASEFIL66

Item #: 427BASEFIL66 Qty: _____

Project: _____

Approval: _____ Date: _____



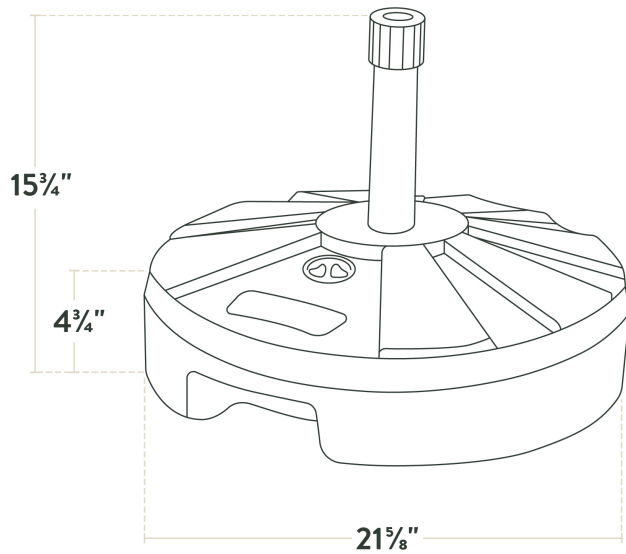
Features

- Can be filled up with sand or water
- Durable plastic construction
- Compatible with 1 1/2"-1 7/8" diameter umbrella poles
- Handle allows for convenient transport
- Great for patios and outdoor dining

Technical Data

Height	15 3/4 Inches
Diameter	21 5/8 Inches
Compatible Pole Diameter	1 1/2 - 1 7/8 Inches
Assembled	Assembly Required
Color	Black
Features	Fillable Base
Material	Plastic
Shape	Round
Type	Bases
Weight	66 lb.

Plan View



#427BASEFIL66

Notes & Details

Keep your umbrella secure with this Lancaster Table & Seating black plastic fillable umbrella base! This base is perfect for use on outdoor patios and dining spaces to ensure your umbrella remains firmly in place. Its plastic construction makes it light and easy to transport when empty, and it includes an easy-to-remove plug to make filling the base quick and simple. It can be filled with sand or water, and weights 66 lb. when filled to ensure your umbrella remains in place.

This unit is compatible with 1 1/2"-1 7/8" diameter umbrella poles. Plus, it includes a handle to make it easier to grip when transporting! This durable base is sure to keep your umbrella stable and upright, protecting it from damage and ensuring an excellent outdoor experience for your guests.

⚠ WARNING: This product can expose you to chemicals including lead, which are known to the State of California to cause cancer, birth defects, or other reproductive harm. For more information, go to www.p65warnings.ca.gov.