



Lancaster Table & Seating Industrial Bar Height Table Base with Antique Slate Gray Finish

#349TBINDGY37

Item #: 349TBINDGY37 Qty: _____

Project: _____

Approval: _____ Date: _____



Features

- Industrial-style antique slate gray wood column with steel base plate and spider
- Wide, square base with adjustable feet ensures table stability
- Compatible with Lancaster Table & Seating live edge table tops (sold separately)
- Easy to assemble with included hardware
- 300 lb. weight capacity

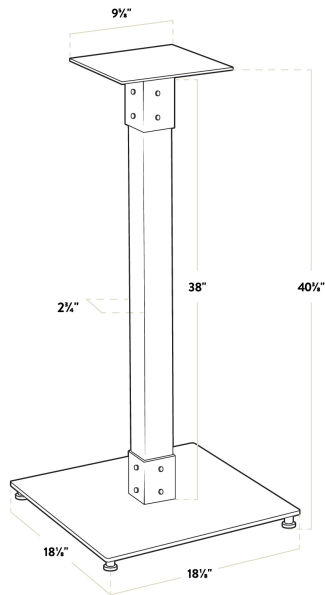
Technical Data

Length	18 1/8 Inches
Width	18 1/8 Inches
Height	40 3/8 Inches
Height Style	Bar Height
Assembled	Assembly Required
Base Style	Square
Capacity	300 lb.
Color	Gray
Features	Adjustable Feet
Finish	Antique Slate Gray

Technical Data

Material	Steel Wood
Type	Table Bases
Usage	Indoor

Plan View



Notes & Details

Rural countryside meets urban city with this Lancaster Table & Seating industrial bar height table base with antique slate gray finish. This table base combines the natural look of wood with rugged metal accents to add a rustic element with contemporary flair to your establishment. The perfect piece for your winery, brewery, or farm-to-table eatery, this table base elevates compatible table tops to bar height, ensuring tables stay steady and balanced while guests enjoy your signature drinks and dishes.

This table base features a solid beechwood column with a steel base plate and spider attachment. The wide, square base helps prevent the table from wobbling, while the adjustable feet add stability and help protect floors from scratches and scuffs. Thanks to its generous 300 lb. weight capacity, this table base will provide a reliable foundation for heavy meals, dinnerware, and decor. Plus, the antique slate gray finish on the column highlights the distinctive woodgrain patterns and gives the base a contemporary, modern hue, providing your establishment with a unique aesthetic that can't be duplicated.

This table base can be paired with select Lancaster Table & Seating live edge table tops (sold separately) to complete your dining area. You can also combine it with seating from the rest of the industrial line to create a coherent and attractive dining space. This table base requires light assembly by screwing together the base, post, and spider attachment with the included screws. With the perfect blend of warm and cool tones, this industrial base makes it easy to create an inviting and modern dining room your customers won't soon forget!

⚠ WARNING: This product can expose you to chemicals including lead, which are known to the State of California to cause cancer, birth defects, or other reproductive harm. For more information, go to www.p65warnings.ca.gov.