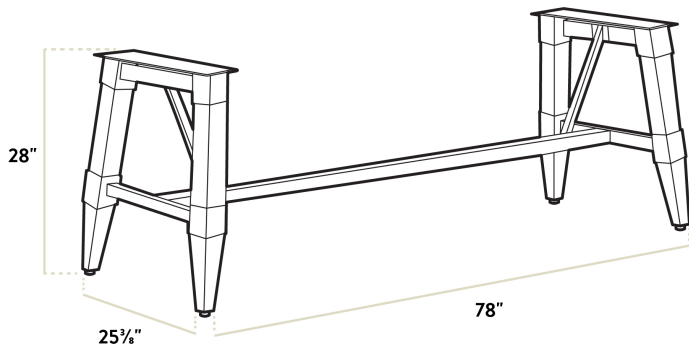


Technical Data

Material	Steel Wood
Type	Table Bases
Usage	Indoor

Plan View



Notes & Details

Rural countryside meets urban city with this Lancaster Table & Seating industrial honey maple standard height trestle table base for 30" x 96" table tops. This table base combines the natural look of wood with rugged metal accents to add a rustic element with contemporary flair to your establishment. The perfect piece for your winery, brewery, or farm-to-table eatery, this table base elevates compatible table tops to standard dining height, ensuring tables stay steady and balanced while guests enjoy your signature drinks and dishes.

This table base features tapered, solid wood legs fitted into a steel trestle frame for a base that is both sleek and exceptionally sturdy. The wide trestle design helps prevent the table from wobbling, while the adjustable feet add stability and help protect floors from scratches and scuffs. Thanks to its generous 400 lb. weight capacity, this table base will provide a reliable foundation for heavy meals, dinnerware, and decor. Plus, the honey maple finish highlights the distinctive woodgrain patterns and gives the table a warm, inviting hue, providing your establishment with a unique aesthetic that can't be duplicated.

This table base can be paired with select Lancaster Table & Seating 30" x 96" live edge table tops (sold separately) to complete your dining area. You can also combine it with seating from the rest of the industrial line to create a coherent and attractive dining space. To save you money, this table base ships unassembled. With the perfect blend of warm and cool tones, this industrial base makes it easy to create an inviting and modern dining room your customers won't soon forget!

⚠ WARNING: This product can expose you to chemicals including lead, which are known to the State of California to cause cancer and birth defects or other reproductive harm. For more information, go to www.p65warnings.ca.gov.