



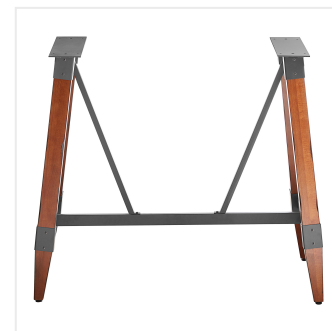
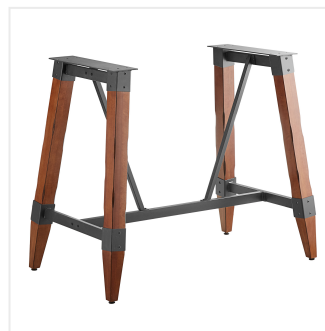
## Lancaster Table & Seating Industrial Antique Walnut Bar Height Trestle Table Base for 30" x 60" Table Tops

#349TB60WAL37

Item #: 349TB60WAL37 Qty: \_\_\_\_\_

Project: \_\_\_\_\_

Approval: \_\_\_\_\_ Date: \_\_\_\_\_



### Features

- Industrial-style trestle base with antique walnut finish
- Steel frame adds durability and style
- Adjustable feet prevent table from wobbling
- Compatible with Lancaster Table & Seating 30" x 60" live edge table tops (sold separately)
- Ships unassembled to save on shipping costs

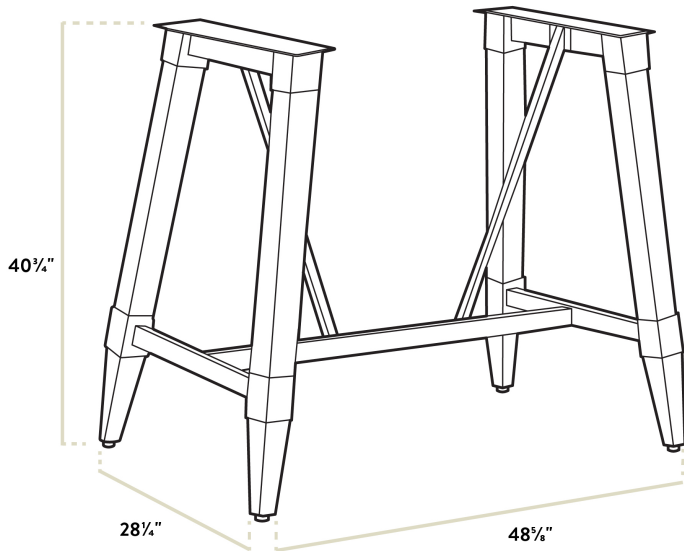
### Technical Data

Length	45 7/8 Inches
Width	28 1/4 Inches
Height	40 3/4 Inches
Height Style	Bar Height
Assembled	Assembly Required
Base Style	Trestle
Capacity	300 lb.
Color	Brown
Features	Adjustable Feet
Finish	Antique Walnut

## Technical Data

Material	Steel Wood
Type	Table Bases
Usage	Indoor

## Plan View



## Notes & Details

Rural countryside meets urban city with this Lancaster Table & Seating industrial antique walnut bar height trestle table base for 30" x 60" table tops. This table base combines the natural look of wood with rugged metal accents to add a rustic element with contemporary flair to your establishment. The perfect piece for your winery, brewery, or farm-to-table eatery, this table base elevates compatible table tops to bar height, ensuring tables stay steady and balanced while guests enjoy your signature drinks and dishes.

This table base features tapered, solid wood legs fitted into a steel trestle frame for a base that is both sleek and exceptionally sturdy. The wide trestle design helps prevent the table from wobbling, while the adjustable feet add stability and help protect floors from scratches and scuffs. Thanks to its generous 300 lb. weight capacity, this table base will provide a reliable foundation for heavy meals, dinnerware, and decor. Plus, the antique walnut finish highlights the distinctive woodgrain patterns and gives the table a simple, elegant hue, providing your establishment with a unique aesthetic that can't be duplicated.

This table base can be paired with select Lancaster Table & Seating 30" x 60" live edge table tops (sold separately) to complete your dining area. You can also combine it with seating from the rest of the industrial line to create a coherent and attractive dining space. To save you money, this table base ships unassembled. With the perfect blend of warm and cool tones, this industrial base makes it easy to create an inviting and modern dining room your customers won't soon forget!

**⚠ WARNING:** This product can expose you to chemicals including lead, which are known to the State of California to cause cancer, birth defects, or other reproductive harm. For more information, go to [www.p65warnings.ca.gov](http://www.p65warnings.ca.gov).