



## Lancaster Table & Seating Mid-Century 36" x 36" Bar Height Butcher Block Table with Espresso Finish

#349B3636ESMC

Item #: 349B3636ESMC Qty: \_\_\_\_\_

Project: \_\_\_\_\_

Approval: \_\_\_\_\_ Date: \_\_\_\_\_



### Features

- Comfortably seats 2-4 guests
- Table base is constructed of durable powder-coated steel
- Butcher block table top made from beech, birch, pine, ash, and oak planks
- Adjustable glides allow for easy table leveling
- Stylish mid-century design adds a timeless look to any setting

### Certifications



Seating Capacity: 2 - 4

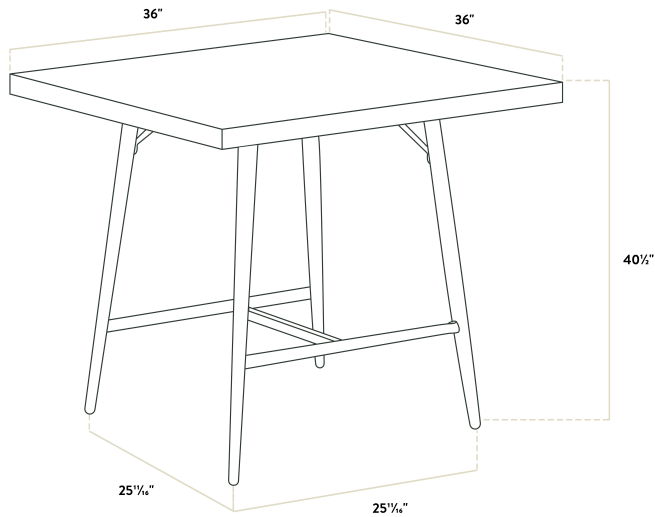
### Technical Data

Length	36 Inches
Width	36 Inches
Height	37 Inches
Height Style	Bar Height
Base Color	Black
Base Material	Steel
Color	Brown
Finish	Espresso Powder-Coated
Installation Type	Freestanding

## Technical Data

Samples Available	Yes
Shape	Square
Table Seating Capacity	2 - 4 Chairs
Tabletop Material	Wood
Tabletop Thickness	1 3/8 - 2 Inches
Type	Tables
Usage	Indoor

## Plan View



## Notes & Details

Add a unique and modern twist to your restaurant with this Lancaster Table & Seating mid-century 36" x 36" bar height butcher block table with espresso finish. Boasting a sturdy black table base made of powder-coated steel, this table is sure to withstand heavy use. The butcher block top is made from beech, birch, pine, ash, and oak planks and features an attractive espresso finish for a warm, timeless look. This bar-height table comfortably seats 2-4 people, and looks great with a variety of different barstools for versatility you'll appreciate.

This durable table top easily holds up to spills and daily wear and boasts a 2" thick solid wood border along the edge for a clean look. While this table offers a thick, heavy appearance, it's designed to be lightweight and easy to move, giving you the best of both worlds. The table's base features a wide trestle design to prevent wobbling while each foot includes a rubber glide to avoid damage to your floors. Better yet, the glides are adjustable for easy leveling at any time. Simply loosen the glide to increase height, or tighten the glide to lower the height. For a mid-century look your guests will love paired with durability you can trust, choose this butcher block table for your restaurant, cafe, or bar.

**⚠ WARNING:** This product can expose you to chemicals including lead, which are known to the State of California to cause cancer, birth defects, or other reproductive harm. For more information, go to [www.p65warnings.ca.gov](http://www.p65warnings.ca.gov).