



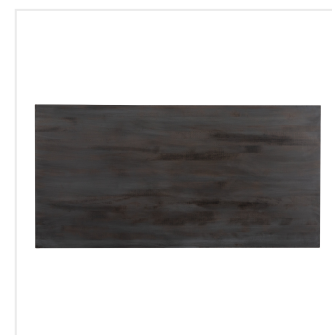
Lancaster Table & Seating Industrial 30" x 60" Solid Wood Live Edge Standard Height Table with Antique Slate Gray Finish

#3493060CLG30

Item #: 3493060CLG30 Qty: _____

Project: _____


Approval: _____ Date: _____



Features

- Industrial-style antique slate gray wood columns with steel base plates and spiders
- Solid 1 1/2" thick live edge table top
- Wide, square base with adjustable feet ensures table stability
- 60" length is perfect for seating 6 guests comfortably
- Pair with Lancaster Table & Seating industrial chairs (sold separately)

Certifications

 Seating Capacity: 6

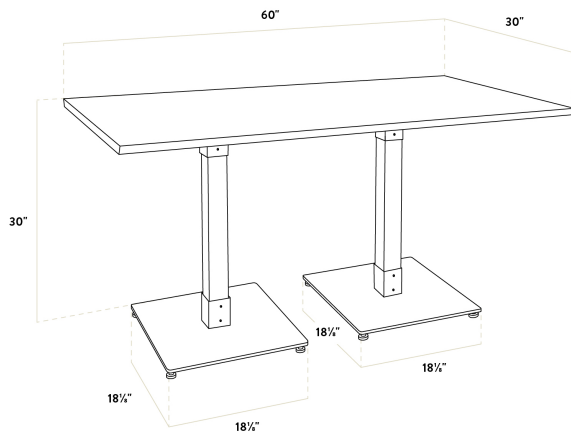
Technical Data

Length	60 Inches
Width	30 Inches
Height Style	Standard Height
Base Color	Black
Color	Gray
Finish	Slate Gray
Frame Material	Metal
Samples Available	Yes
Shape	Rectangle
Style	Solid Wood

Technical Data

Table Seating Capacity	6 Chairs
Tabletop Material	Wood
Tabletop Thickness	1 1/4 Inches
Type	Tables
Usage	Indoor

Plan View



Notes & Details

Feature beautiful wood with reliable durability in your dining room by choosing this Lancaster Table & Seating industrial 30" x 60" solid wood live edge standard height table with antique slate gray finish. Complete with an attractive table top and standard height bases, this table is the perfect addition to your winery, brewery, or farm-to-table eatery. It combines the natural look of wood with rugged metal accents to add a rustic element with contemporary flair to your establishment. The antique slate gray finish highlights the distinctive woodgrain patterns and gives the table a unique aesthetic that can't be duplicated.

Thanks to its 1 1/2" thick European beechwood construction, the table top is durable enough to withstand the wear and tear of everyday use. Its underside includes V-shaped metal braces that prevent the wood from warping, which helps to maintain the smooth, sturdy surface. This table top also features 2 live edges for a rustic look that captures the natural beauty of wood. At 60" in length, it can comfortably seat 6 guests.

The included table bases feature solid beechwood columns with steel base plates and spider attachments. The wide, square bases help prevent the table from wobbling, while the adjustable feet add stability and help protect your floors from scuffs and scratches. Thanks to their generous 400 lb. weight capacity, the table bases will provide a reliable foundation for heavy meals, dinnerware, and decor. The table bases elevate your table top to standard dining height, ensuring it stays steady and balanced while guests enjoy your signature drinks and dishes. Pair this table with Lancaster Table & Seating industrial chairs (sold separately) to complete your dining area.

⚠ WARNING: This product can expose you to chemicals including lead, which are known to the State of California to cause cancer, birth defects, or other reproductive harm. For more information, go to www.p65warnings.ca.gov.