



Lancaster Table & Seating Unassembled Wooden Booster Seat with Black Finish

#164WDBSTBLK

Item #: 164WDBSTBLK Qty: _____

Project: _____

Approval: _____ Date: _____



Features

- Made of durable rubberwood with sleek black finish
- 3-point harness helps secure child in the seat
- Seat strap keeps seat firmly in place
- Non-slip pads prevent unwanted movement
- Stackable for efficient, space-saving storage

Certifications



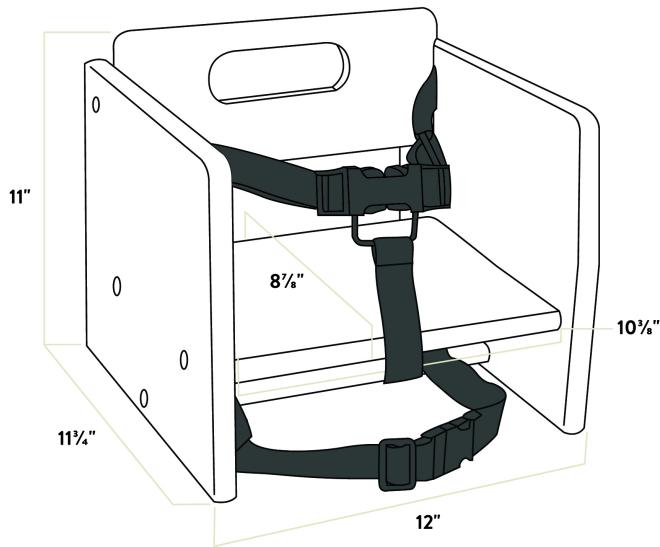
Technical Data

Length	11 3/4 Inches
Width	12 Inches
Height	10 Inches
Seat Width	10 3/8 Inches
Seat Depth	8 7/8 Inches
Assembled	Assembly Required
Color	Black
Features	3-Point Harness Carrying Handle Chair Strap

Technical Data

Finish	Black
Material	Wood
Style	Single Seat
Type	Booster Seats
Usage	Indoor

Plan View



Notes & Details

Give your youngest guests the best seat in the house with this Lancaster Table & Seating unassembled wooden booster seat with black finish! This beautiful wood booster seat can proudly be displayed at the tables in your restaurant, hotel, cafe, or banquet hall to provide small children with the extra boost they need to enjoy their meal. Giving your young guests seating that is the right height for them will not only keep them safe but prevent accidental spills and messes as well!

This booster seat includes a 3-point harness to keep children safe and secure while they're enjoying their meal. Another strap attaches the booster seat to the chair, ensuring that the seat stays firmly in place while in use. Plus, the non-skid rubber pads help keep the seat securely in place on chairs, while the wide, square base also provides superior stability.

This booster seat features a solid rubberwood construction that helps conceal any dings, scratches, or damage that may occur. In addition to showing off the beautiful wood grain, the glossy, black wood finish also protects it from moisture damage. The seat can easily be wiped down with a damp cloth to clean any spills or messes. The rounded corners provide your youngest guests with a comfortable and safe place to rest their arms while dining.

Thanks to its easy-grip handle, this light weight booster seat is a breeze to move around your establishment. Whether you're moving it to a table during the lunch rush or storing it away at the end of the night, the handle provides a convenient way to lift and carry the seat. Plus, these booster seats are stackable up to 3 high for easy, space-efficient storage at the end of the day.

This seat can accommodate children up to 3 years old. It is only intended for children that can sit upright without assistance. To save you money on shipping costs, this seat ships unassembled. An Allen wrench and all necessary hardware is included.

⚠ WARNING: This product can expose you to chemicals including lead, which are known to the State of California to cause cancer, birth defects, or other reproductive harm. For more information, go to www.p65warnings.ca.gov.