

# Lancaster Table & Seating Vineyard Series Rustic White Outdoor Cross Back Chair

#164VYCHAIRWH



Item #: 164VYCHAIRWH Qty: \_\_\_\_\_

Project: \_\_\_\_\_

Approval: \_\_\_\_\_ Date: \_\_\_\_\_



## Features

- Classic cross back design and rustic white finish that will complement any decor
- Sturdy, light weight ashwood construction
- Perfect for banquets, weddings, and receptions
- Fully assembled and stackable
- Ample 300 lb. capacity

## Certifications



Fully Assembled



Stackable

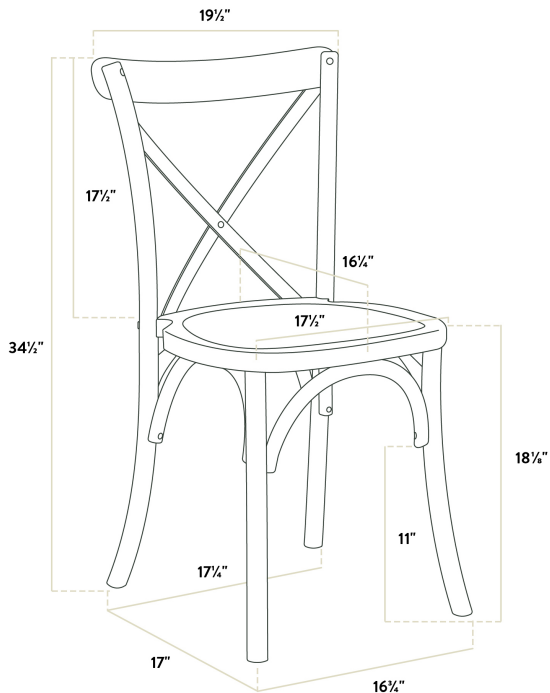
## Technical Data

Width	19 1/2 Inches
Depth	17 Inches
Height	34 1/2 Inches
Back Width	19 1/2 Inches
Seat Width	17 1/2 Inches
Back Height	17 1/2 Inches
Height Style	Standard Height
Seat Height	18 Inches
Arms	Without Arms
Assembled	Fully Assembled

## Technical Data

Back	With Back
Back Color	White
Back Material	Ashwood Wood
Capacity	300 lb.
Features	Stackable
Finish	Rustic White
Frame Color	White
Frame Material	Ashwood Wood
Padded Seat	Without Padded Seat
Product Line	Lancaster Table & Seating Vineyard Series
Seat Color	White
Seat Material	Ashwood Wood
Seat Type	Solid
Style	Cross Back
Type	Chairs
Usage	Indoor Outdoor

## Plan View




## Notes & Details

---

Add some charm and style to your establishment's decor with this Lancaster Table & Seating Vineyard series outdoor cross back chair. This chair's cross back and U-shaped underbar combines with its sleek wooden frame to instill a classic look in any location. Plus, since this chair's back and seat are contoured, it will provide comfort while maintaining a distinct, rustic appearance. It is a versatile option for indoor or outdoor catered events or any indoor restaurant looking to add a casual feel to their space.

This chair's light weight ashwood frame provides unmatched durability in your dining room. It can hold up to 300 lb. of weight thanks to the sturdy frame. Additionally, the smooth surface provides a natural wood feel, while the rustic white finish offers a stylish look. This chair also features a cross back that's contoured to provide extra support to your customers' upper backs. Each leg boasts a floor glide to protect floors from scratches and scuffs while offering improved traction on slick surfaces and damage protection to the chair feet. At the end of the night or conclusion of your event, its light weight, stackable design allows for easy moveability, compact storage, and efficient transportation. The wood seat, back, and legs are easy to clean and maintain, and they offer style and convenience in any establishment! Simply use a damp cloth with mild soap to remove any dirt or spills. This chair is perfect for commercial use, and since it is fully assembled, you can put it to use right away.

 **WARNING:** This product can expose you to chemicals including lead, which are known to the State of California to cause cancer and birth defects or other reproductive harm. For more information, go to [www.p65warnings.ca.gov](http://www.p65warnings.ca.gov).