



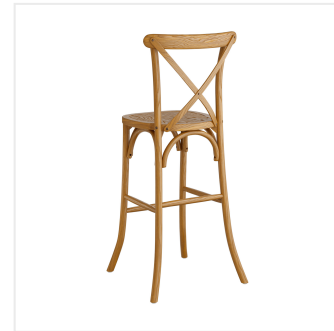
## Lancaster Table & Seating Vineyard Series Vintage Wood Outdoor Cross Back Bar Stool

#164VYBARSTVN

Item #: 164VYBARSTVN Qty: \_\_\_\_\_

Project: \_\_\_\_\_

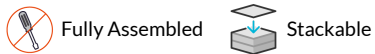
Approval: \_\_\_\_\_ Date: \_\_\_\_\_



### Features

- Classic cross back design and vintage finish that will complement any decor
- Sturdy, light weight ashwood construction
- Perfect for events or restaurants, both indoor and outdoor
- Fully assembled and stackable
- Ample 300 lb. capacity

### Certifications



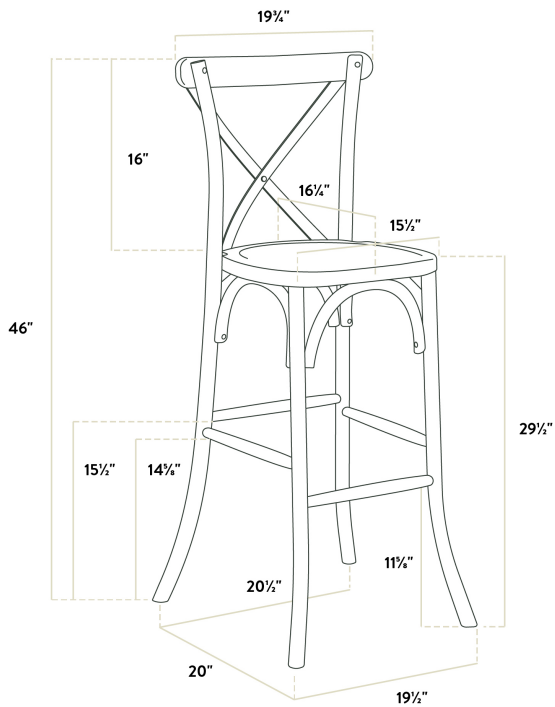
### Technical Data

Width	20 1/2 Inches
Depth	20 Inches
Height	46 Inches
Back Width	19 3/4 Inches
Seat Width	15 1/2 Inches
Back Height	16 Inches
Height Style	Bar Height
Seat Height	29 1/2 Inches
Arms	Without Arms
Assembled	Fully Assembled

## Technical Data

Back	With Back
Back Color	Brown
Capacity	300 lb.
Features	Stackable
Finish	Vintage Wood
Frame Color	Brown
Frame Material	Ashwood Wood
Padded Seat	Without Padded Seat
Product Line	Lancaster Table & Seating Vineyard Series
Seat Color	Brown
Seat Material	Ashwood Wood
Seat Type	Solid
Style	Cross Back
Type	Stools
Usage	Indoor Outdoor

## Plan View




# Notes & Details

---

Add some charm and style to your establishment's decor with this Lancaster Table & Seating Vineyard series outdoor cross back bar stool. This bar stool's cross back and U-shaped underbar combines with its sleek wooden frame to instill a classic look in any location. Plus, since this bar stool's back and seat are contoured, it will provide comfort while maintaining a distinct, rustic appearance. At an ideal height for both bar and raised table seating, this bar stool is a versatile option for any indoor or outdoor restaurant, bar, deli, or coffee shop.

This bar stool's light weight ashwood frame provides unmatched durability in your dining room. It can hold up to 300 lb. of weight thanks to the sturdy frame. Additionally, the smooth surface on this bar stool provides a natural wood feel, while the vintage finish offers a stylish look. This bar stool also features a cross back that's contoured to provide extra support to your customers' upper backs. Each leg boasts a floor glide to protect floors from scratches and scuffs while offering improved traction on slick surfaces and damage protection to the chair feet. At the end of the night or conclusion of your event, its light weight, stackable design allows for easy moveability, compact storage, and efficient transportation. The wood seat, back, and legs are easy to clean and maintain, and they offer style and convenience in any establishment! Simply use a damp cloth with mild soap to remove any dirt or spills. This stool is perfect for commercial use, and since it is fully assembled, you can put it to use right away.

 **WARNING:** This product can expose you to chemicals including lead, which are known to the State of California to cause cancer, birth defects, or other reproductive harm. For more information, go to [www.p65warnings.ca.gov](http://www.p65warnings.ca.gov).