



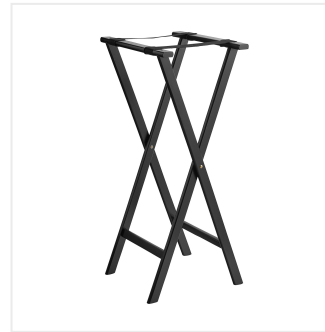
Lancaster Table & Seating 38" Black Wood Folding Tray Stand

#164TRST38BLK

Item #: 164TRST38BLK Qty: _____

Project: _____

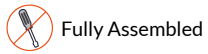
Approval: _____ Date: _____



Features

- Durable wood frame with timeless black finish withstands daily use
- Space-saving folding design
- Nylon straps and non-slip bands provide additional support
- Sleek, sturdy design for efficient use
- 38" height is ideal for any use with standard height and bar height tables

Certifications



Fully Assembled

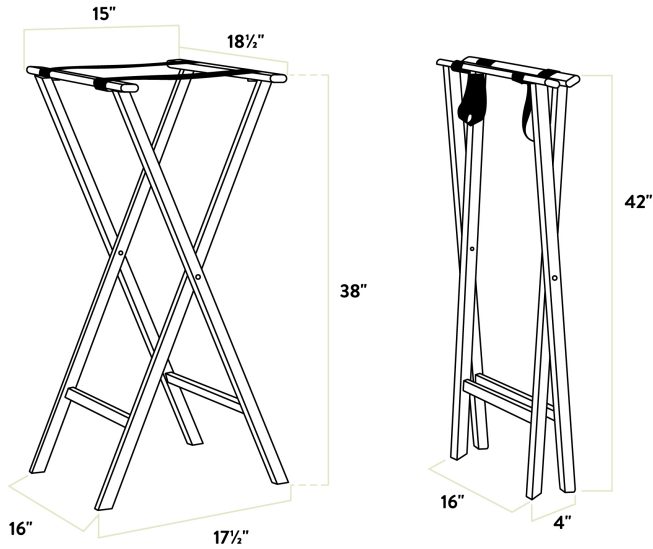
Technical Data

Height	38 Inches
Bottom Length	17 1/2 Inches
Bottom Length (closed)	4 Inches
Top Length	15 Inches
Bottom Width	16 Inches
Top Width	18 1/2 Inches
Height (closed)	41 Inches
Assembled	Fully Assembled
Color	Black
Material	Wood

Technical Data

Strap Material	Polypropylene
Type	Tray Stands
Weight	7.5 lb.

Plan View



Notes & Details

Serve in style with this Lancaster Table & Seating 32" tray stand! This tray stand is an attractive alternative to metal tray stands, with an all-wood construction and sleek black finish that will blend seamlessly into a variety of decors. Great for busy restaurants with high-traffic areas, this stand makes the ideal addition to your dining room service by holding large trays of food to free your servers' hands. To save time and hassle, this tray stand ships fully assembled.

Use this stand to serve appetizers, desserts, and drinks, or to facilitate cleanup at the end of the night! It features a space-saving folding design for simple transportation and out-of-the-way storage between shifts. It can be carried under a server's arm, then easily flipped open with one hand for instant service. The versatile 38" height makes it ideal for any use with standard height and bar height tables.

This tray stand includes two sturdy nylon straps, making it ideal for use with large, heavy trays of food and drink. To provide additional stability, it features non-slip bands to keep trays and tubs in place and avoid spillage. This Lancaster Table & Seating folding tray stand is a stylish and functional addition to your restaurant, buffet, or catered event!

⚠ WARNING: This product can expose you to chemicals including lead, which are known to the State of California to cause cancer, birth defects, or other reproductive harm. For more information, go to www.p65warnings.ca.gov.