



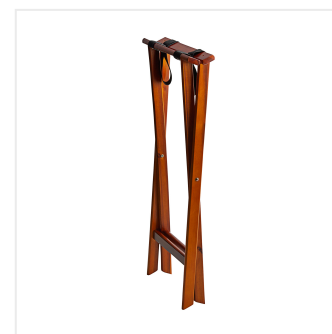
Lancaster Table & Seating 32" Walnut Wood Folding Tray Stand

#164TRST32WAL

Item #: 164TRST32WAL Qty: _____

Project: _____

Approval: _____ Date: _____



Features

- Durable wood frame with timeless walnut finish withstands daily use
- Space-saving folding design
- Nylon straps and non-slip bands provide additional support
- Sleek, sturdy design for efficient use
- 32" height is ideal for use with standard height tables

Certifications



Fully Assembled

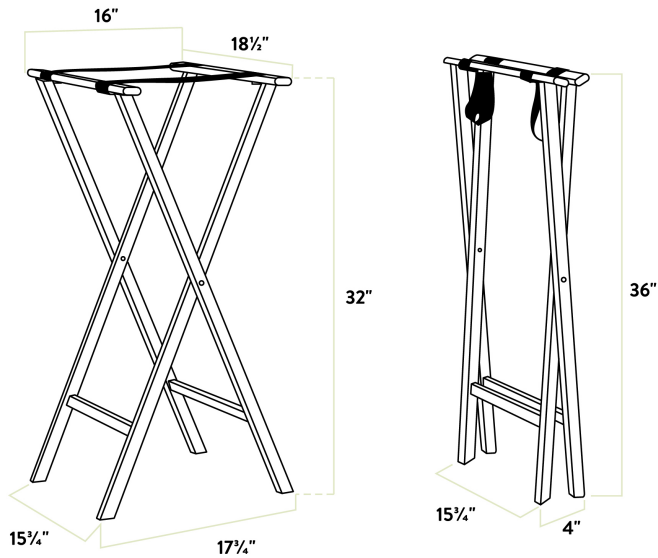
Technical Data

Height	32 Inches
Bottom Length	17 3/4 Inches
Bottom Length (closed)	4 Inches
Top Length	16 Inches
Bottom Width	15 3/4 Inches
Top Width	18 1/2 Inches
Height (closed)	36 Inches
Assembled	Fully Assembled
Color	Brown
Finish	Walnut

Technical Data

Material	Wood
Strap Material	Nylon
Type	Tray Stands
Weight Capacity	70 lb.

Plan View



Notes & Details

Serve in style with this Lancaster Table & Seating 32" tray stand! This tray stand is an attractive alternative to metal tray stands, with an all-wood construction and sleek walnut finish that will blend seamlessly into a variety of decors. Great for busy restaurants with high-traffic areas, this stand makes the ideal addition to your dining room service by holding large trays of food to free your servers' hands. To save time and hassle, this tray stand ships fully assembled.

Use this stand to serve appetizers, desserts, and drinks, or to facilitate cleanup at the end of the night! It features a space-saving folding design for simple transportation and out-of-the-way storage between shifts. It can be carried under a server's arm, then easily flipped open with one hand for instant service. The 32" height makes it ideal for use with standard height tables.

This tray stand includes two sturdy nylon straps, making it ideal for use with large, heavy trays of food and drink. To provide additional stability, it features non-slip bands to keep trays and tubs in place and avoid spillage. This Lancaster Table & Seating folding tray stand is a stylish and functional addition to your restaurant, buffet, or catered event!

⚠ WARNING: This product can expose you to chemicals including lead, which are known to the State of California to cause cancer, birth defects, or other reproductive harm. For more information, go to www.p65warnings.ca.gov.