



Lancaster Table & Seating Clear Coat Swivel Backless Bar Stool with Maroon Vinyl Seat

#164STLCSWVCR

Item #: 164STLCSWVCR Qty: _____

Project: _____

Approval: _____ Date: _____



Features

- Durable steel frame with stylish clear coat finish
- Built-in footrest for exceptional comfort
- Plastic glides protect floors from scratches and scuffs
- 3 1/2" thick maroon vinyl padded cushion is easy to clean
- Swivel design allows guests to easily socialize

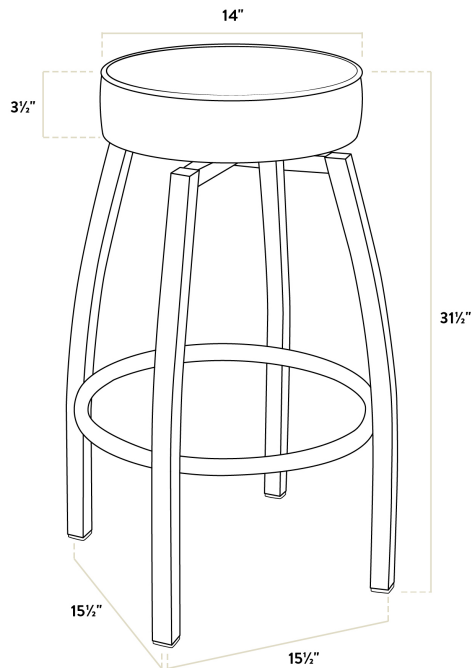
Technical Data

Width	15 1/2 Inches
Depth	15 1/2 Inches
Height	31 1/2 Inches
Height Style	Bar Height
Seat Diameter	14 Inches
Arms	Without Arms
Assembled	Assembly Required
Back	Without Back
Capacity	330 lb.
Color	Silver

Technical Data

Cushion Thickness	3 1/2 Inches
Features	Footrest Swivel Seat
Frame Material	Metal Steel
Padded Seat	With Padded Seat
Seat Color	Maroon
Seat Material	Vinyl
Seat Type	Solid
Type	Stools
Usage	Indoor

Plan View



Notes & Details

Seat your guests in comfort and style with this Lancaster Table & Seating clear coat swivel backless bar stool with maroon vinyl padded seat. This bar stool's sleek padded seat combines with its contemporary steel frame to instill a modern look in any location. This stool is perfect for both bar and raised table seating and will provide unmatched comfort while maintaining a distinct appearance. Its reliable design ensures you'll be using this bar stool in your bar, game room, or club for years to come.

Thanks to the sturdy steel frame, this bar stool can hold up to 330 lb. of weight. Additionally, the clear powder coating on this bar stool ensures longevity through everyday wear and tear, resisting stains, scratches, and smudges. The 3 1/2" thick maroon vinyl padded seat provides exceptional comfort for your guests, and it's also durable and easy to clean! Simply use a damp cloth with mild soap to remove any dirt or spills. It is made with fire-retardant foam for added safety.

This bar stool's swivel design allows guests to turn their seats to comfortably socialize and fully enjoy your venue. Plus, the built-in footrest gives customers a place to rest their legs. Each leg comes with an integrated glide to protect your floors from scuffing. This convenient bar stool weighs just 14.5 lb., which makes it easy to rearrange for staff and customers. To save you money, these bar stools are shipped with the seat detached and require light assembly. The swivel plate has openings for mounting directly to the frame.

 **WARNING:** This product can expose you to chemicals including lead, which are known to the State of California to cause cancer, birth defects, or other reproductive harm. For more information, go to www.p65warnings.ca.gov.