



## Lancaster Table & Seating Adjustable Screw Top Bar Stool with Antique Walnut Seat

#164SCRWBLWAL

Item #: 164SCRWBLWAL Qty: \_\_\_\_\_

Project: \_\_\_\_\_

Approval: \_\_\_\_\_ Date: \_\_\_\_\_



### Features

- Industrial screw top design adds rustic charm to any establishment
- Simply adjusts from counter height to bar height by spinning the seat
- Built-in footrest for exceptional comfort
- Ships fully assembled for immediate use
- Antique walnut wood seat for a warm, natural feel

### Certifications



Fully Assembled

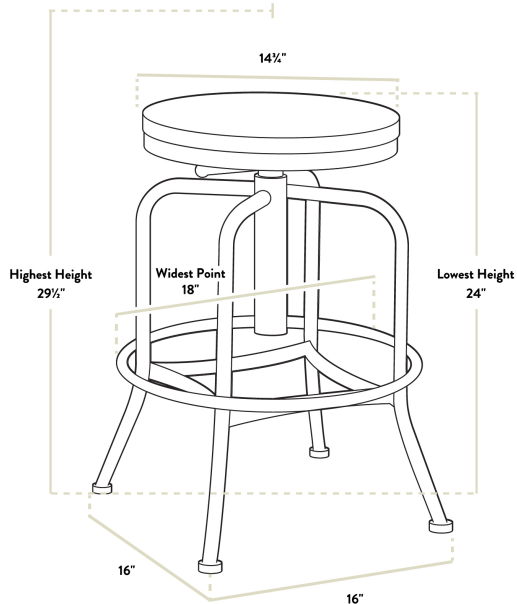
### Technical Data

Height	24 - 29 1/2 Inches
Diameter	18 Inches
Height Style	Bar Height Counter Height
Seat Diameter	14 3/4 Inches
Arms	Without Arms
Assembled	Fully Assembled
Back	Without Back
Back Color	Brown
Capacity	350 lb.

## Technical Data

Color	Black
Features	Adjustable Height Footrest
Finish	Antique Walnut
Frame Material	Steel Wood
Padded Seat	Without Padded Seat
Seat Color	Brown
Seat Material	Wood
Seat Type	Solid
Style	Industrial
Type	Backless Bar Stools
Usage	Indoor

## Plan View



## Notes & Details

---

Rural countryside meets urban city with this Lancaster Table & Seating adjustable screw top bar stool with antique walnut seat! This bar stool's antique walnut seat combines with its sleek metal frame to add a rustic element with contemporary flair to your establishment. The seat offers the natural look of wood with its distressed finish and weathered texture, providing a warm, welcoming feel to your establishment. Durable and stylish, this bar stool is a versatile option for any brewery, winery, or restaurant.

This bar stool's sturdy steel frame provides unmatched durability in your dining room. It can hold up to 350 lb. of weight thanks to the metal frame and supports under the seat. Additionally, the black powder coating on this bar stool ensures longevity through everyday wear and tear, resisting strains, scratches, and smudges. Plus, the durable antique walnut wood seat is easy to clean and maintain, and it offers style and convenience in any establishment!

This bar stool can be easily adjusted between bar height and counter height for incredible versatility. Just spin the seat until it's at the perfect height, then set the locking arm to secure the seat. The built-in footrest gives customers a place to rest their legs. Each leg comes with an integrated glide to protect your floors from scuffing. To save you the time and hassle of assembly, this bar stool is shipped fully assembled with the seat already attached.

 **WARNING:** This product can expose you to chemicals including lead, which are known to the State of California to cause cancer, birth defects, or other reproductive harm. For more information, go to [www.p65warnings.ca.gov](http://www.p65warnings.ca.gov).