



Lancaster Table & Seating Spartan Series Metal Window Back Chair with Dark Walnut Wood Grain Finish and Black Vinyl Seat - Assembled

#164CSWWVBKAS

Item #: 164CSWWVBKAS Qty: _____

Project: _____

Approval: _____ Date: _____



Features

- Window back brings a unique style and exceptional comfort to your establishment
- Soft 2 1/2" thick vinyl padded cushion
- Durable metal frame with stain- and smudge-resistant dark walnut wood finish
- 500 lb. weight capacity
- Conveniently ships fully assembled for immediate use

Certifications



Fully Assembled

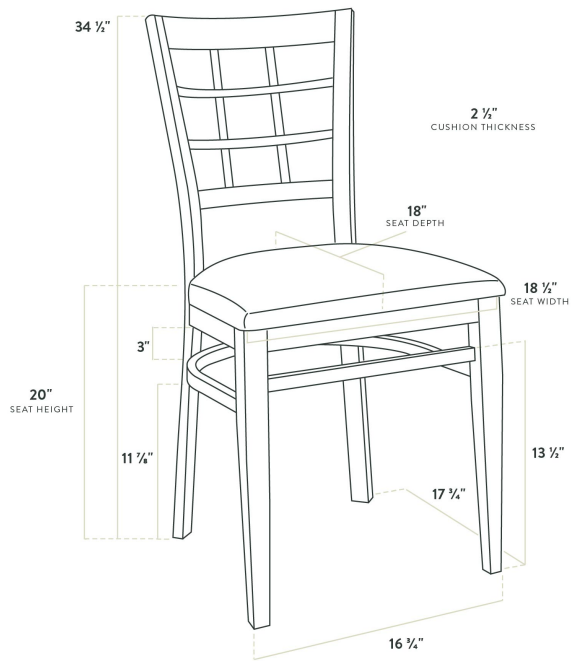
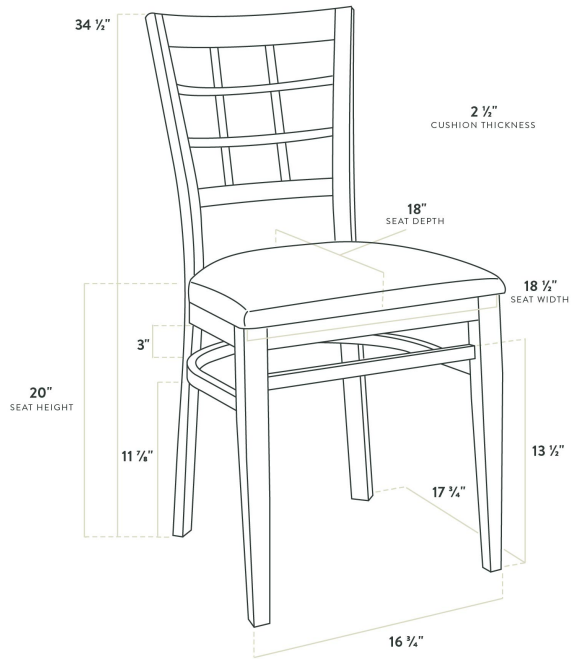
Technical Data

Width	18 1/2 Inches
Depth	18 Inches
Height	34 1/2 Inches
Seat Width	18 1/2 Inches
Seat Depth	18 Inches
Height Style	Standard Height
Seat Height	20 Inches
Arms	Without Arms
Back	With Back
Back Color	Brown

Technical Data

Back Material	Metal
Capacity	500 lb.
Cushion Thickness	2 1/2 Inches
Finish	Dark Walnut Powder-Coated
Frame Color	Brown
Frame Material	Metal
Padded Seat	With Padded Seat
Seat Color	Black
Seat Material	Vinyl
Seat Type	Solid
Style	Window Back
Type	Chairs
Usage	Indoor

Plan View




Notes & Details

Seat your guests in comfort and style with this Lancaster Table & Seating Spartan Series metal window back chair with dark walnut wood grain finish and 2 1/2" black vinyl padded seat. This chair's sleek padded seat and stylish wood grain finish combine with its modern metal frame to instill a unique look in any location. Plus, since this chair's back is contoured for a customer's back, it will provide comfort while maintaining a distinct appearance.

The Spartan Series represents the last chair you'll ever need to buy. Named for their toughness and indestructibility, Spartan Series chairs are guaranteed to withstand years of high-volume use. This chair's sturdy metal frame provides unmatched durability in your dining room. It can hold up to 500 lb. of weight thanks to the metal frame, reinforced joints, and supports under the seat.

Additionally, the dark walnut wood grain finish on this chair ensures longevity through everyday wear and tear, resisting stains, scratches, and smudges. It also features a window back design that's contoured to provide extra support to your customers' upper backs. Plus, this design gives it a unique visual appeal, making it perfect for both upscale and casual decor, as well as anything in between. The 2 1/2" thick black vinyl padded seat provides exceptional comfort for your guests, and it's also durable and easy to clean! It is made with fire-retardant foam for added safety.

Each leg has a glide on the bottom to protect floors from becoming scuffed when the chairs are moved. To save you the time and hassle of assembly, this chair is shipped fully assembled with the seat already attached.

 **WARNING:** This product can expose you to chemicals including lead, which are known to the State of California to cause cancer, birth defects, or other reproductive harm. For more information, go to www.p65warnings.ca.gov.