



Lancaster Table & Seating Spoke Back Chair with Black Vinyl Seat - Detached Seat

#164CSPBVBKDD

Item #: 164CSPBVBKDD Qty: _____

Project: _____

Approval: _____ Date: _____



Features

- Unique spoke back design brings an elegant style to your establishment
- Vinyl padded seat provides exceptional comfort and support
- Durable steel frame with stain- and smudge-resistant black powder coated finish
- Light weight construction allows staff and customers to maneuver easily
- Nylon glides protect floors from scratches and scuffs

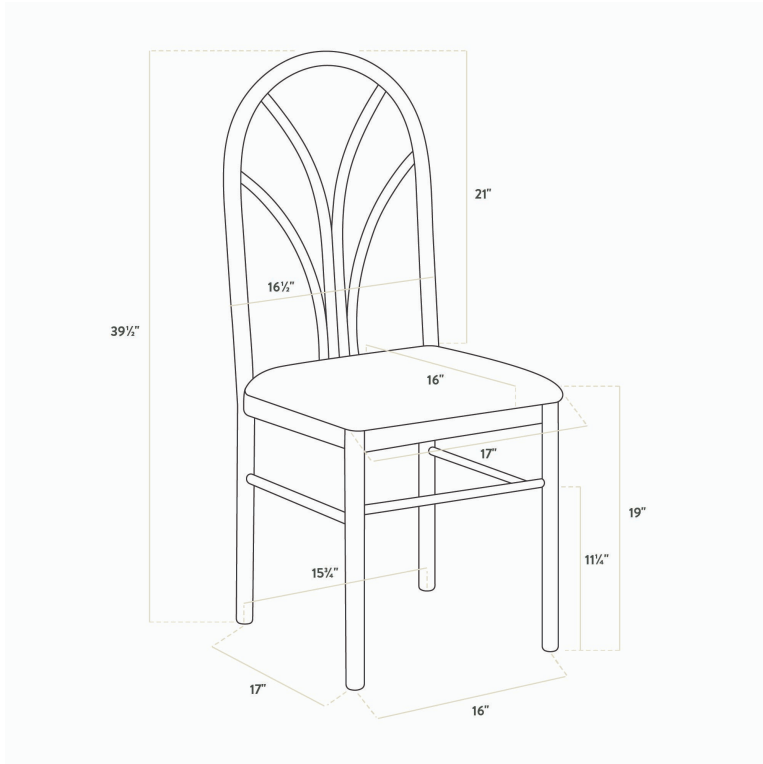
Technical Data

Width	17 Inches
Depth	17 Inches
Height	39 1/2 Inches
Seat Width	17 Inches
Seat Depth	16 Inches
Height Style	Standard Height
Seat Height	19 Inches
Arms	Without Arms
Assembled	Assembly Required
Back	With Back

Technical Data

Back Color	Black
Back Material	Metal
Capacity	250 lb.
Cushion Thickness	1 3/4 Inches
Finish	Powder-Coated
Frame Color	Black
Frame Material	Metal Steel
Padded Seat	With Padded Seat
Seat Color	Black
Seat Material	Vinyl
Seat Type	Solid
Style	Side Chair Spokeback
Type	Chairs
Usage	Indoor

Plan View




Notes & Details

Seat your guests in comfort and style with this Lancaster Table & Seating spoke back chair with black vinyl seat. This chair's sleek padded seat combines with its attractive steel frame to add an elegant touch to any location. Its reliable and versatile design ensures you'll be using this chair in your bar, restaurant, pizza shop, ice cream parlor, or cafe for years to come.

This chair's sturdy steel frame provides unmatched durability in your dining room. It can hold up to 250 lb. of weight thanks to the welded frame and supports under the seat. Additionally, the black powder coating on this chair ensures longevity through everyday wear and tear, resisting stains, scratches, and smudges. It also features a spoke back design with slim, curved lines that start from a central point and radiate out, creating a unique fan shape that's both simple and stylish. The 1 3/4" thick black vinyl padded seat provides exceptional comfort for your guests, and it's also durable and easy to clean! It is made with fire-retardant foam for added safety.

Each leg comes with an integrated glide to protect your floors from scuffing. This chair's light weight construction makes it easy to rearrange for staff and customers. To save you money, these chairs are shipped with the seat detached.

 **WARNING:** This product can expose you to chemicals including lead, which are known to the State of California to cause cancer, birth defects, or other reproductive harm. For more information, go to www.p65warnings.ca.gov.