



Lancaster Table & Seating Mid-Century Black Chair with Vintage Wood Seat and Backrest

#164CMCMVCVB

Item #: 164CMCMVCVB Qty: _____

Project: _____

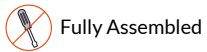
Approval: _____ Date: _____



Features

- Comfortable curved-back design
- Mid-century design adds a classic look to any establishment
- Durable steel frame construction
- Wood seat and backrest are easy to clean
- Included plastic glides protect your floors from scratches and scuff marks

Certifications



Fully Assembled

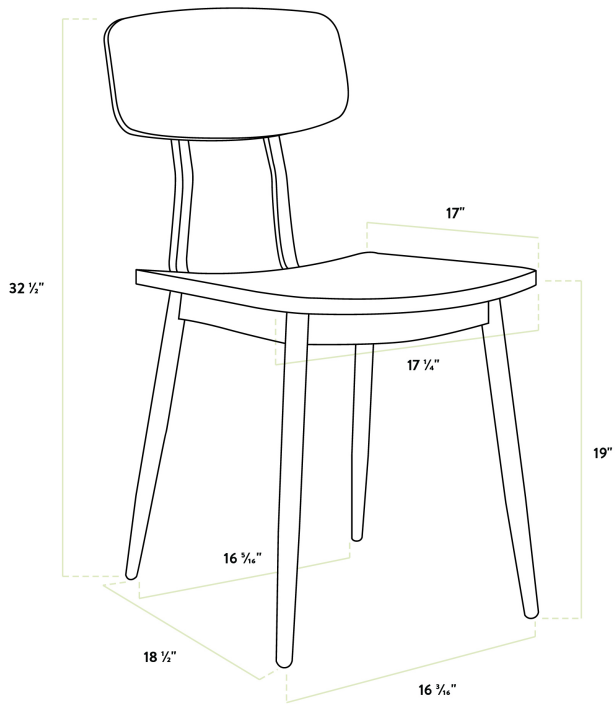
Technical Data

Width	17 1/4 Inches
Depth	18 1/2 Inches
Height	32 1/2 Inches
Seat Width	15 1/2 - 17 1/4 Inches
Seat Depth	17 Inches
Height Style	Standard Height
Seat Height	19 Inches
Arms	Without Arms
Assembled	Fully Assembled
Back	With Back

Technical Data

Back Color	Brown
Back Material	Wood
Capacity	300 lb.
Finish	Powder-Coated
Frame Color	Black
Frame Material	Metal Steel
Padded Seat	Without Padded Seat
Seat Color	Brown
Seat Material	Wood
Seat Thickness	5/8 Inch
Seat Type	Solid
Style	Solid Back
Type	Chairs
Usage	Indoor

Plan View



Notes & Details

Add a modern twist to your restaurant with this Lancaster Table & Seating mid-century black chair with vintage wood seat and backrest. This chair features a stylish mid-century design that adds a modern look to any establishment. Its curved rectangular back cradles the spine while the built-in 11" high footrest provides excellent leg support. Its wood seat and backrest are easy to clean and add a warm, natural touch to any setting.

Boasting a durable steel frame, this chair is built to withstand daily use and can hold up to 300 lb. To protect your floors and keep unwanted noise to a minimum, this chair includes plastic glides on the feet. Plus, it ships assembled for immediate placement and use. Complete your restaurant or bar's themed look with this Lancaster Table & Seating chair.

⚠ WARNING: This product can expose you to chemicals including lead, which are known to the State of California to cause cancer, birth defects, or other reproductive harm. For more information, go to www.p65warnings.ca.gov.