



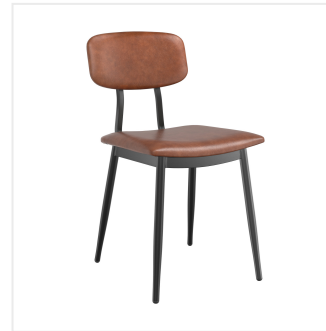
## Lancaster Table & Seating Mid-Century Black Chair with Cognac Vinyl Padded Seat and Backrest

#164CMCMCCCB

Item #: 164CMCMCCCB Qty: \_\_\_\_\_

Project: \_\_\_\_\_

Approval: \_\_\_\_\_ Date: \_\_\_\_\_



### Features

- Comfortable curved-back design
- Mid-century design adds a classic look to any establishment
- Durable steel frame construction
- Padded vinyl seat and backrest are easy to clean
- Included plastic glides protect your floors from scratches and scuff marks

### Certifications



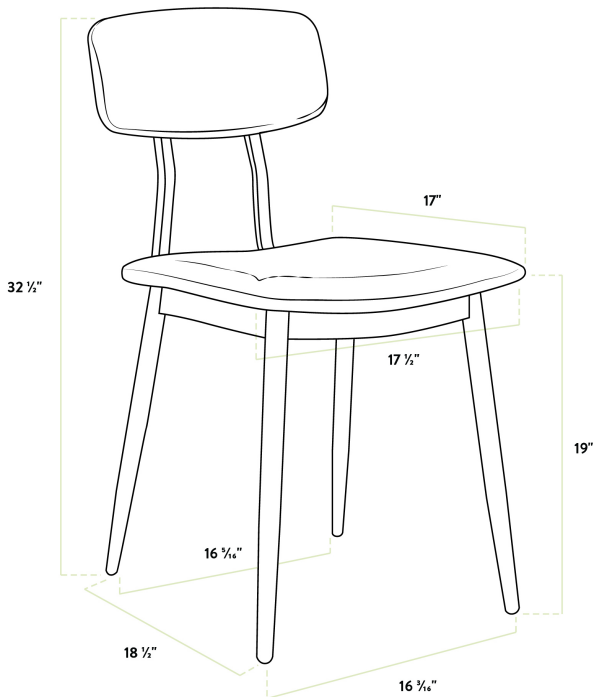
### Technical Data

|              |                        |
|--------------|------------------------|
| Width        | 17 1/2 Inches          |
| Depth        | 18 1/2 Inches          |
| Height       | 32 1/2 Inches          |
| Seat Width   | 15 1/2 - 17 1/2 Inches |
| Seat Depth   | 17 Inches              |
| Height Style | Standard Height        |
| Seat Height  | 19 Inches              |
| Arms         | Without Arms           |
| Back         | With Back              |
| Back Color   | Brown                  |

## Technical Data

|                |                  |
|----------------|------------------|
| Back Material  | Vinyl            |
| Capacity       | 300 lb.          |
| Finish         | Powder-Coated    |
| Frame Color    | Black            |
| Frame Material | Metal<br>Steel   |
| Padded Seat    | With Padded Seat |
| Seat Color     | Brown            |
| Seat Material  | Vinyl            |
| Seat Thickness | 1 3/4 Inches     |
| Seat Type      | Solid            |
| Style          | Solid Back       |
| Type           | Chairs           |
| Usage          | Indoor           |

## Plan View



## Notes & Details

Add a modern twist to your restaurant with this Lancaster Table & Seating mid-century black chair with cognac vinyl padded seat and backrest. This chair features a stylish mid-century design that adds a modern look to any establishment. Its curved rectangular back cradles the spine. Its versatile padded vinyl seat and backrest are easy to clean and offer superior comfort for your guests.

Boasting a durable steel frame, this chair is built to withstand daily use and can hold up to 300 lb. To protect your floors and keep unwanted noise to a minimum, this chair includes plastic glides on the feet. Plus, it ships assembled for immediate placement and use. Complete your restaurant or bar's themed look with this Lancaster Table & Seating chair.

 **WARNING:** This product can expose you to chemicals including lead, which are known to the State of California to cause cancer, birth defects, or other reproductive harm. For more information, go to [www.p65warnings.ca.gov](http://www.p65warnings.ca.gov).