



## Lancaster Table & Seating Mid-Century Black Chair with Black Vinyl Padded Seat and Espresso Wood Backrest

#164CMCMBCEB

Item #: 164CMCMBCEB Qty: \_\_\_\_\_

Project: \_\_\_\_\_

Approval: \_\_\_\_\_ Date: \_\_\_\_\_



### Features

- Comfortable curved-back design
- Mid-century design adds a classic look to any establishment
- Durable steel frame construction
- Padded vinyl seat and wood backrest are easy to clean
- Included plastic glides protect your floors from scratches and scuff marks

### Certifications



Fully Assembled

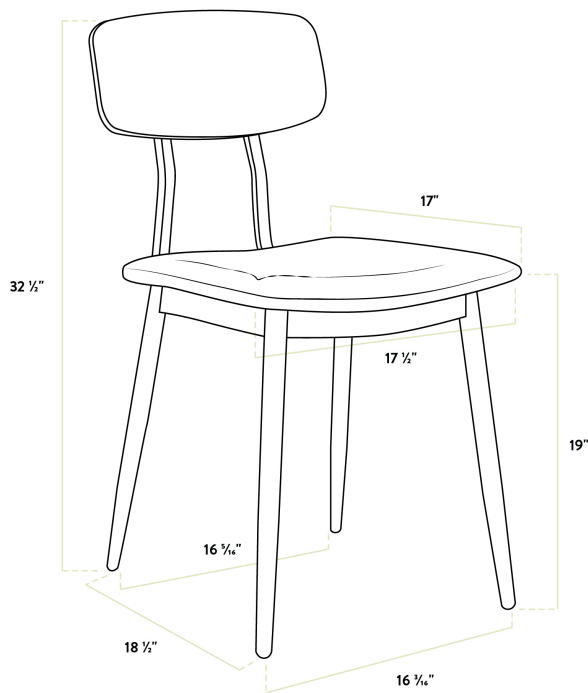
### Technical Data

Width	17 1/2 Inches
Depth	18 1/2 Inches
Height	32 1/2 Inches
Seat Width	15 1/2 - 17 1/2 Inches
Seat Depth	17 Inches
Height Style	Standard Height
Seat Height	19 Inches
Arms	Without Arms
Back	With Back
Back Color	Brown

## Technical Data

Back Material	Wood
Capacity	300 lb.
Finish	Powder-Coated
Frame Color	Black
Frame Material	Metal Steel
Padded Seat	With Padded Seat
Seat Color	Black
Seat Material	Vinyl
Seat Thickness	1 3/4 Inches
Seat Type	Solid
Style	Solid Back
Type	Chairs
Usage	Indoor

## Plan View



## Notes & Details

Add a modern twist to your restaurant with this Lancaster Table & Seating mid-century black chair with black vinyl padded seat and espresso wood backrest. This chair features a stylish mid-century design that adds a modern look to any establishment. Its curved rectangular back cradles the spine. Its versatile padded vinyl seat is comfortable and easy to clean while its wood backrest adds a warm, natural touch to any setting.

Boasting a durable steel frame, this chair is built to withstand daily use and can hold up to 300 lb. To protect your floors and keep unwanted noise to a minimum, this chair includes plastic glides on the feet. Plus, it ships assembled for immediate placement and use. Complete your restaurant or bar's themed look with this Lancaster Table & Seating chair.

 **WARNING:** This product can expose you to chemicals including lead, which are known to the State of California to cause cancer, birth defects, or other reproductive harm. For more information, go to [www.p65warnings.ca.gov](http://www.p65warnings.ca.gov).