



Lancaster Table & Seating Alloy Silver Indoor Cafe Chair with Gray Wood Seat

#164CMCAFCLRG

Item #: 164CMCAFCLRG Qty: _____
 Project: _____
 Approval: _____ Date: _____



Features

- Steel construction dipped in clear coat for a shiny, industrial look
- Ample 400 lb. weight capacity
- Reinforced frame with under-seat cross bracing enhances strength and stability
- Stylish gray wood seat designed for indoor use
- Features comfortable back support and rounded edges

Certifications



Stackable

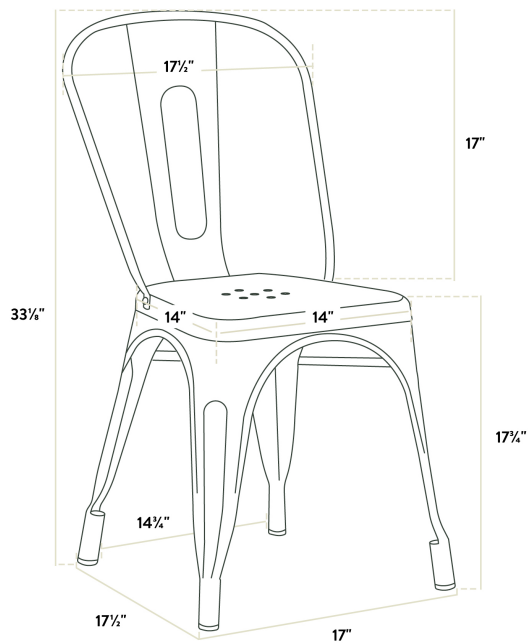
Technical Data

Width	17 Inches
Depth	17 1/4 Inches
Height	33 1/2 Inches
Seat Width	14 1/4 Inches
Seat Depth	14 1/4 Inches
Back Height	17 Inches
Height Style	Standard Height
Seat Height	17 3/4 Inches
Arms	Without Arms
Assembly Options	Assembly Required

Technical Data

Back	With Back
Back Color	Silver
Back Material	Metal
Capacity	400 lb.
Design	Coastal Industrial Modern
Features	Stackable
Finish	Clear Coat
Frame Color	Silver
Frame Material	Metal Steel
Padded Seat	Without Padded Seat
Product Line	Lancaster Table & Seating Alloy
Seat Color	Gray
Seat Material	Wood
Seat Thickness	3/4 Inch
Seat Type	Solid
Style	Cafe and Side Chair Side Chair
Type	Chairs
Usage	Indoor

Plan View



Notes & Details

Take your modern restaurant, cafe, or bistro to the next level with this Lancaster Table & Seating Alloy clear coat indoor cafe chair with gray wood seat! This chair is made of durable steel to withstand years of use. The sleek clear coat adds a stylish touch to any setting and is sure to be a contemporary design choice that guests love. Comfortable and stylish, this strong yet lightweight chair is an excellent choice for your indoor dining area. To save time and hassle, this chair ships assembled. The seat ships detached from the chair.

The included gray wood seat is constructed of sturdy wood and designed for indoor use to enhance your dining space. Wood is a timeless, classy aesthetic, and it will impart an upscale look to your bistro, cafe, or restaurant. The seat conveniently screws onto the chair with the included hardware, making installation straightforward. With clearly defined drill hole notches, you can have your new wooden seat ready in no time!

Ready to withstand daily indoor use, this chair is constructed of durable steel. It also has a clear coat for a shiny, industrial look. The frame is reinforced with additional under-seat cross bracing to provide strength and stability without adding extra bulk or weight to this sleek design. This industrial chair boasts a 400 lb. weight capacity. To ensure that your customers are free to enjoy your signature drinks, appetizers, entrees, and desserts, it features a supportive back and comfortable seat with rounded corners for a sleek, minimalist look.

In addition to being stylish and durable, this lightweight chair is also easy to move and transport so you can quickly reconfigure your dining space and easily clean up at the end of the night. When the cushion is removed, this chair can even be stacked with up to six other Lancaster Table & Seating Alloy cafe chairs to maximize storage space! With a wide array of color options to choose from, you'll be able to mix and match to create a vibrant seating arrangement in your establishment. This low-maintenance chair features protective glides that help keep floor surfaces in pristine condition. No time will be wasted on seat cleaning measures as you can just wipe down the wood seat with a sanitized cloth or towel.

⚠ WARNING: This product can expose you to chemicals including lead, which are known to the State of California to cause cancer and birth defects or other reproductive harm. For more information, go to www.p65warnings.ca.gov.