



Lancaster Table & Seating Alloy Series Black Outdoor Backless Counter Height Stool

#164CMBKLSBLK

Item #: 164CMBKLSBLK Qty: _____

Project: _____

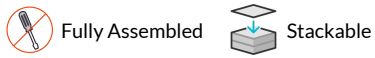
Approval: _____ Date: _____



Features

- Rust-resistant steel construction with e-coat sealant and black powder coat
- Perfect for counter height and raised table seating
- Ample 400 lb. weight capacity
- Designed for use indoors and outdoors
- Stackable with other Lancaster Table & Seating Alloy counter height stools for space-saving storage

Certifications



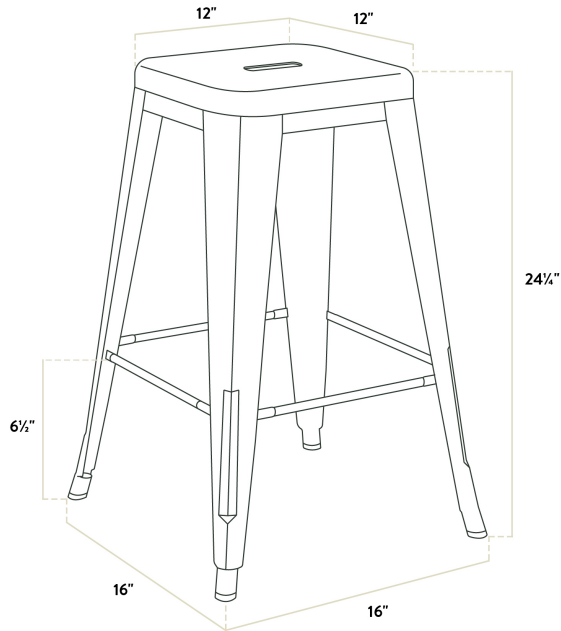
Technical Data

Width	16 Inches
Depth	16 Inches
Height	24 1/4 Inches
Seat Width	12 Inches
Seat Depth	12 Inches
Height Style	Counter Height
Seat Height	24 1/4 Inches
Arms	Without Arms
Assembled	Fully Assembled
Back	Without Back

Technical Data

Capacity	400 lb.
Color	Black
Features	E-Coat Sealant Powder Coated Stackable
Frame Material	Metal Steel
Installation Type	Freestanding
Seat Color	Black
Seat Material	Steel
Seat Type	Drain Hole
Style	Backless
Type	Bar Stools
Usage	Indoor Outdoor

Plan View




Notes & Details

Take your modern restaurant, cafe, or bistro to the next level with this Lancaster Table & Seating Alloy Series black outdoor backless counter height stool! This stool is made of durable steel and double coated to withstand years of use. The black color adds a sleek, modern touch to any setting and is sure to be a contemporary design choice that guests love. Comfortable and stylish, this strong yet lightweight stool is an excellent choice for your indoor or outdoor dining area. To save time and hassle, this stool ships fully assembled.

Ready to withstand daily outdoor use, this stool is constructed of durable steel. It's then e-coated and powder coated for rust and corrosion resistance as well as extra protection against everyday wear and tear. The frame is reinforced with additional under-seat cross bracing to provide strength and stability without adding extra bulk or weight to this sleek design.

Boasting a 400 lb. weight capacity, this industrial counter height stool includes a footrest to reduce pressure on your customers' legs and lower backs. To ensure that your customers are free to enjoy your signature drinks, appetizers, entrees, and desserts, it features a comfortable seat with a raised, rounded lip for a sleek, minimalist look. In addition to being stylish and durable, this lightweight stool is also easy to move and transport so you can quickly reconfigure your dining space and easily clean up at the end of the night. It can be used indoors during the off-season then transferred outdoors as the weather gets nicer!

This stool can even be stacked with up to six other Lancaster Table & Seating Alloy Series outdoor backless counter height stools to maximize storage space! With a wide variety of color options to choose from, you'll be able to mix and match to create a vibrant seating arrangement in your establishment. This low-maintenance stool features protective glides that help keep floor surfaces in pristine condition. Plus, the drain hole ensures that water won't pool on the seat, helping it to dry faster after washing or accidental spills.

 **WARNING:** This product can expose you to chemicals including lead, which are known to the State of California to cause cancer, birth defects, or other reproductive harm. For more information, go to www.p65warnings.ca.gov.