



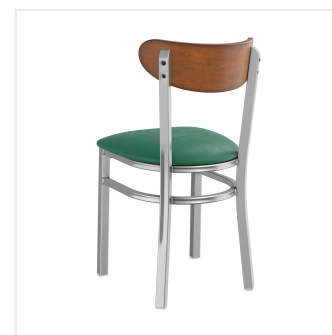
## Lancaster Table & Seating Boomerang Series Clear Coat Finish Chair with Green Vinyl Seat and Antique Walnut Wood Back

#164CBMRNGCGW

Item #: 164CBMRNGCGW Qty: \_\_\_\_\_

Project: \_\_\_\_\_

Approval: \_\_\_\_\_ Date: \_\_\_\_\_



### Features

- Boomerang back is contoured for exceptional comfort
- Soft 2 1/2" thick vinyl padded cushion
- Durable steel frame with stain- and smudge-resistant clear coat finish
- Light weight construction allows staff and customers to maneuver easily
- Ships assembled for immediate use

### Certifications



Fully Assembled

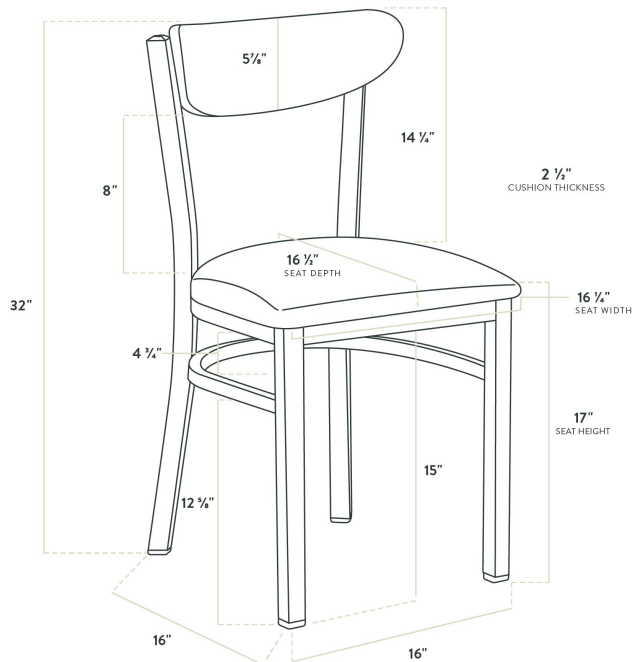
### Technical Data

Width	16 1/4 Inches
Depth	16 1/2 Inches
Height	32 Inches
Seat Width	16 1/4 Inches
Seat Depth	16 1/2 Inches
Height Style	Standard Height
Seat Height	17 Inches
Arms	Without Arms
Back	With Back
Back Color	Brown

## Technical Data

Back Material	Walnut Wood
Capacity	330 lb.
Finish	Clear Coat
Frame Color	Silver
Frame Material	Metal
Padded Seat	With Padded Seat
Seat Color	Green
Seat Material	Vinyl
Seat Thickness	2 1/2 Inches
Seat Type	Solid
Style	Solid Back
Type	Chairs
Usage	Indoor

## Plan View



## Notes & Details

---

Seat your guests in comfort and style with this Lancaster Table & Seating Boomerang Series clear coat finish chair with 2 1/2" green vinyl padded seat and antique walnut wood back. This chair's wooden Boomerang back and padded seat combine with its modern steel frame to instill a unique look in any location. Plus, since this chair's back is contoured for a customer's back, it will provide comfort while maintaining a distinct appearance.

This chair's sturdy steel frame provides unmatched durability in your commercial dining room. It can hold up to 330 lb. of weight thanks to the steel frame and supports under the seat. Additionally, the clear coat finish on this chair ensures longevity through everyday wear and tear, resisting stains, scratches, and smudges. It also features a Boomerang back that's contoured to provide extra support to your customers' upper backs. The 2 1/2" thick green vinyl padded seat brings exceptional comfort and durability while remaining easy to clean. It is made with fire-retardant foam for ultimate safety!

This chair weighs less than 13 lb., making it easy for guests to get in and out and for your staff to rearrange when necessary. Each leg comes with an integrated glide to protect your floors from scuffing. To save you time and hassle, this chair ships fully assembled with the seat cushion attached. Its reliable and contemporary design ensures you'll be using this dining height chair in your restaurant, bar, or cafe for years to come.

**⚠ WARNING:** This product can expose you to chemicals including lead, which are known to the State of California to cause cancer, birth defects, or other reproductive harm. For more information, go to [www.p65warnings.ca.gov](http://www.p65warnings.ca.gov).