



Lancaster Table & Seating Boomerang Series Black Finish Chair with Burgundy Vinyl Seat and Back

#164CBMRNGBBG

Item #: 164CBMRNGBBG Qty: _____

Project: _____

Approval: _____ Date: _____



Features

- Boomerang back is contoured for exceptional comfort
- Soft 2 1/2" thick vinyl padded cushion
- Durable steel frame with stain- and smudge-resistant black powder coated finish
- Light weight construction allows staff and customers to maneuver easily
- Ships assembled for immediate use

Certifications



Fully Assembled

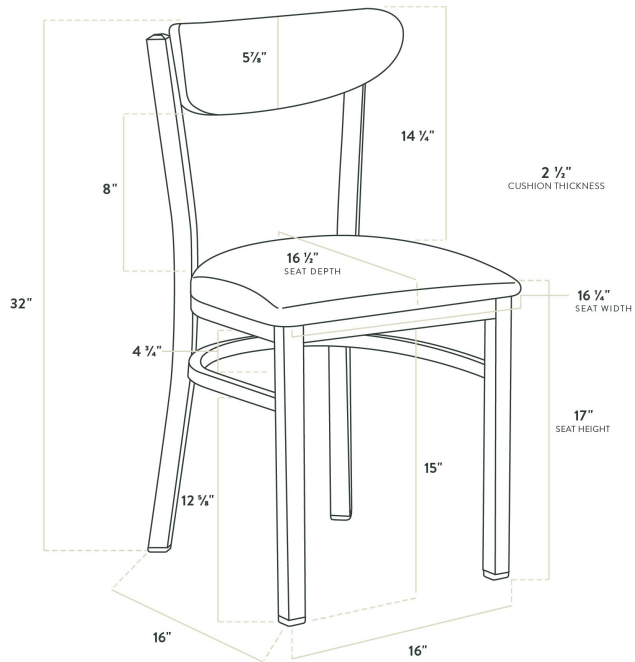
Technical Data

| | |
|--------------|-----------------|
| Width | 16 1/4 Inches |
| Depth | 16 1/2 Inches |
| Height | 32 Inches |
| Seat Width | 16 1/4 Inches |
| Seat Depth | 16 1/2 Inches |
| Height Style | Standard Height |
| Seat Height | 17 Inches |
| Arms | Without Arms |
| Back | With Back |
| Back Color | Burgundy |

Technical Data

| | |
|----------------|------------------|
| Back Material | Vinyl |
| Capacity | 330 lb. |
| Finish | Powder-Coated |
| Frame Color | Black |
| Frame Material | Metal |
| Padded Seat | With Padded Seat |
| Seat Color | Burgundy |
| Seat Material | Vinyl |
| Seat Thickness | 2 1/2 Inches |
| Seat Type | Solid |
| Style | Solid Back |
| Type | Chairs |
| Usage | Indoor |

Plan View



Notes & Details

Seat your guests in comfort and style with this Lancaster Table & Seating Boomerang Series black finish chair with 2 1/2" burgundy vinyl padded seat and back. This chair's padded Boomerang back and seat combines with its modern steel frame to instill a unique look in any location. Plus, since this chair's back is contoured for a customer's back, it will provide comfort while maintaining a distinct appearance.

This chair's sturdy steel frame provides unmatched durability in your commercial dining room. It can hold up to 330 lb. of weight thanks to the steel frame and supports under the seat. Additionally, the black finish on this chair ensures longevity through everyday wear and tear, resisting stains, scratches, and smudges. It also features a Boomerang back that's contoured to provide extra support to your customers' upper backs. The 2 1/2" thick burgundy vinyl padded seat brings exceptional comfort and durability while remaining easy to clean. It is made with fire-retardant foam for ultimate safety!

This chair weighs less than 13 lb., making it easy for guests to get in and out and for your staff to rearrange when necessary. Each leg comes with an integrated glide to protect your floors from scuffing. To save you time and hassle, this chair ships fully assembled with the seat cushion attached. Its reliable and contemporary design ensures you'll be using this dining height chair in your restaurant, bar, or cafe for years to come.

⚠ WARNING: This product can expose you to chemicals including lead, which are known to the State of California to cause cancer, birth defects, or other reproductive harm. For more information, go to www.p65warnings.ca.gov.