



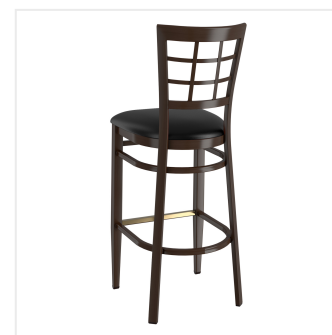
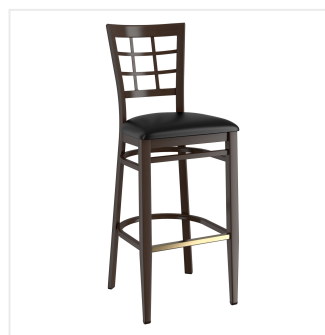
## Lancaster Table & Seating Spartan Series Metal Window Back Bar Stool with Dark Walnut Wood Grain Finish and Black Vinyl Seat - Assembled

#164BSWWVBKAS

Item #: 164BSWWVBKAS Qty: \_\_\_\_\_

Project: \_\_\_\_\_

Approval: \_\_\_\_\_ Date: \_\_\_\_\_



### Features

- Window back and built-in footrest for exceptional comfort
- Soft 2 1/2" thick vinyl padded cushion
- Durable metal frame with stain- and smudge-resistant dark walnut wood finish
- Great for bar and raised table seating
- Conveniently ships fully assembled for immediate use

### Certifications



Fully Assembled

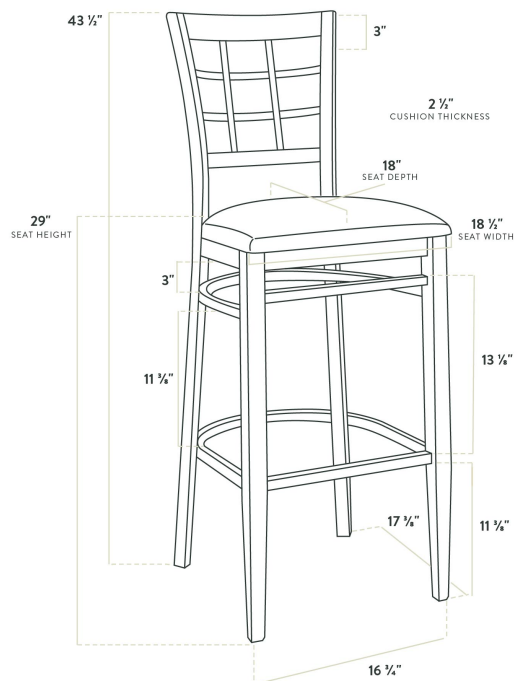
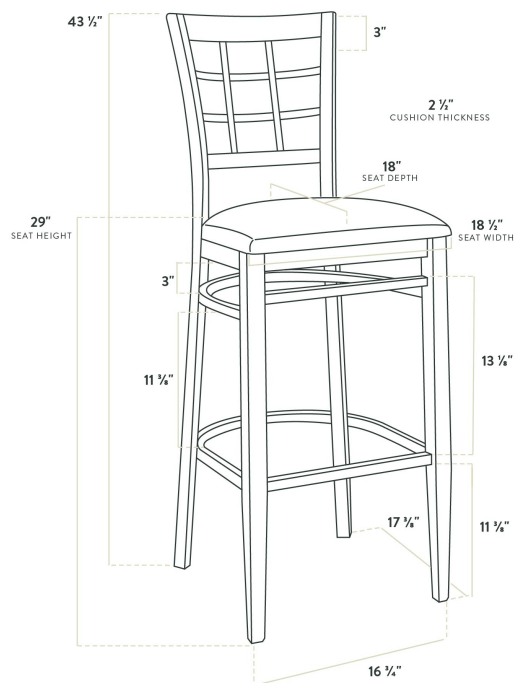
### Technical Data

Width	18 1/2 Inches
Depth	18 Inches
Height	43 1/2 Inches
Seat Width	18 1/2 Inches
Seat Depth	18 Inches
Height Style	Bar Height
Seat Height	29 Inches
Arms	Without Arms
Back	With Back
Back Color	Brown

## Technical Data

Capacity	500 lb.
Color	Brown
Cushion Thickness	2 1/2 Inches
Finish	Dark Walnut
Frame Material	Metal Steel
Padded Seat	With Padded Seat
Seat Color	Black
Seat Material	Vinyl
Style	Window Back
Type	Bar Stools
Usage	Indoor

# Plan View



## Notes & Details


---

Seat your guests in comfort and style with this Lancaster Table & Seating Spartan Series metal window back bar stool with dark walnut wood grain finish and 2 1/2" black vinyl padded seat. This bar stool's sleek padded seat and stylish wood grain finish combine with its modern metal frame to instill a unique look in any location. Plus, since this bar stool's back is contoured for a customer's back, it will provide comfort while maintaining a distinct appearance.

The Spartan Series represents the last bar stool you'll ever need to buy. Named for their toughness and indestructibility, Spartan Series bar stools are guaranteed to withstand years of high-volume use. This bar stool's sturdy metal frame provides unmatched durability in your dining room. It can hold up to 500 lb. of weight thanks to the metal frame, reinforced joints, and supports under the seat.

Additionally, the dark walnut wood grain finish on this bar stool ensures longevity through everyday wear and tear, resisting stains, scratches, and smudges. It also features a window back design that's contoured to provide extra support to your customers' upper backs. Plus, this design gives it a unique visual appeal, making it perfect for both upscale and casual decor, as well as anything in between. The 2 1/2" thick black vinyl padded seat provides exceptional comfort for your guests, and it's also durable and easy to clean! It is made with fire-retardant foam for added safety.

This bar stool's built-in footrest gives customers a place to rest their feet, while a gold-plated, protective heel bar helps keep the frame from getting scratched. Each leg has a glide on the bottom to protect floors from becoming scuffed when the bar stools are moved. To save you the time and hassle of assembly, this bar stool is shipped fully assembled with the seat already attached.

 **WARNING:** This product can expose you to chemicals including lead, which are known to the State of California to cause cancer, birth defects, or other reproductive harm. For more information, go to [www.p65warnings.ca.gov](http://www.p65warnings.ca.gov).