



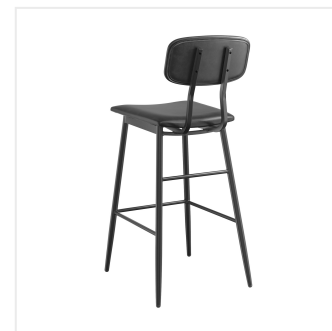
Lancaster Table & Seating Mid-Century Black Barstool with Black Vinyl Padded Seat and Backrest

#164BMCMBCBB

Item #: 164BMCMBCBB Qty: _____

Project: _____

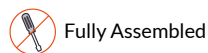
Approval: _____ Date: _____



Features

- Comfortable curved-back design
- Mid-century design adds a classic look to any establishment
- Durable steel frame construction
- Padded vinyl seat and backrest are easy to clean
- Included plastic glides protect your floors from scratches and scuff marks

Certifications



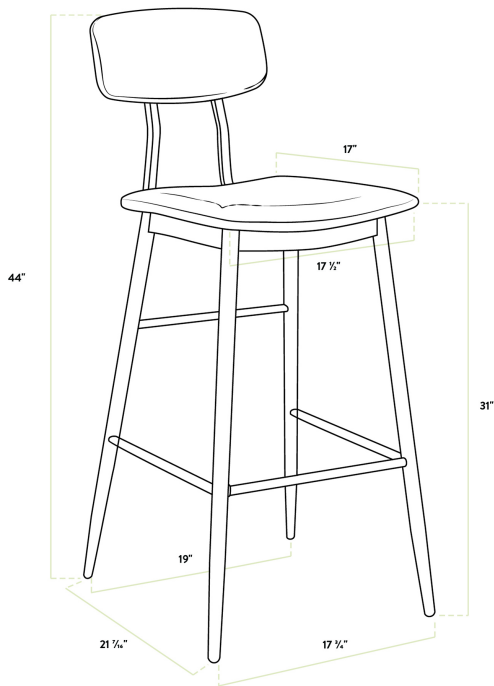
Technical Data

Width	19 Inches
Depth	21 7/16 Inches
Height	44 Inches
Seat Width	15 1/2 - 17 1/2 Inches
Seat Depth	17 Inches
Height Style	Bar Height
Seat Height	31 Inches
Arms	Without Arms
Back	With Back
Back Color	Black

Technical Data

Capacity	300 lb.
Color	Black
Features	Footrest
Finish	Black
Frame Material	Steel
Padded Seat	With Padded Seat
Seat Color	Black
Seat Material	Vinyl
Seat Thickness	1 3/4 Inches
Style	Solid Back
Type	Bar Stools
Usage	Indoor


Plan View



Notes & Details

Add a modern twist to your restaurant with this Lancaster Table & Seating mid-century black barstool with black vinyl padded seat and backrest. This barstool features a stylish mid-century design that adds a modern look to any establishment. Its curved rectangular back cradles the spine while the built-in 11" high footrest provides excellent leg support. Its versatile padded vinyl seat and backrest are easy to clean and offer superior comfort for your guests.

Boasting a durable steel frame, this barstool is built to withstand daily use and can hold up to 300 lb. To protect your floors and keep unwanted noise to a minimum, this barstool includes plastic glides on the feet. Plus, it ships assembled for immediate placement and use. Complete your restaurant or bar's themed look with this Lancaster Table & Seating barstool.

 **WARNING:** This product can expose you to chemicals including lead, which are known to the State of California to cause cancer, birth defects, or other reproductive harm. For more information, go to www.p65warnings.ca.gov.