



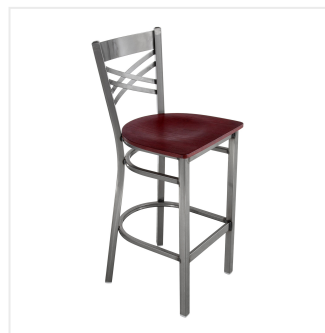
Lancaster Table & Seating Clear Coat Finish Cross Back Bar Stool with Mahogany Wood Seat - Detached

#164BMCCWMHKD

Item #: 164BMCCWMHKD Qty: _____

Project: _____

Approval: _____ Date: _____



Features

- Contoured back and built-in footrest for exceptional comfort
- Trendy mahogany wood seat brings a simple yet elegant style to any establishment
- Sturdy steel frame and clear coat finish add extra durability and style
- Great for bar and raised table seating
- Ships unassembled to save on shipping costs

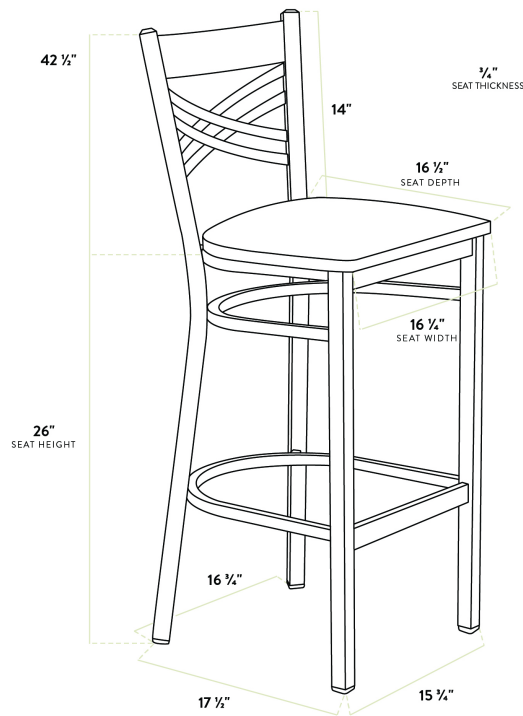
Technical Data

Length	17 1/2 Inches
Width	17 1/4 Inches
Height	42 1/2 Inches
Seat Width	16 3/4 Inches
Seat Depth	16 1/2 Inches
Height Style	Bar Height
Seat Height	28 Inches
Arms	Without Arms
Back	With Back
Capacity	330 lb.

Technical Data

Color	Silver
Frame Material	Metal Steel
Padded Seat	Without Padded Seat
Seat Color	Brown
Seat Material	Wood
Seat Thickness	3/4 Inch
Seat Type	Solid
Style	Cross Back
Type	Bar Stools
Usage	Indoor

Plan View



Notes & Details

Seat your guests in comfort and style with this Lancaster Table & Seating clear coat finish cross back bar stool with mahogany wood seat. This bar stool's sturdy wood seat with a sleek mahogany finish combines with its contemporary cross back steel frame to instill a modern look in any location. Plus, since this bar stool's back is contoured for a customer's back, it will provide comfort while maintaining a distinct appearance.

This bar stool's sturdy steel frame provides unmatched durability in your dining room. It can hold up to 330 lb. of weight thanks to the metal frame and supports under the seat. Additionally, the clear coat powder coating on this bar stool ensures longevity through everyday wear and tear, resisting strains, scratches, and smudges. It also features a cross back design that gives it a unique visual appeal, making it perfect for either upscale or casual decor. The durable mahogany wood seat is easy to clean, and it offers style and convenience in your establishment!

This convenient bar stool weighs just 17 lb., which makes it easy for staff and customers to set up and move these seats. Each leg has a glide on the bottom to protect floors from becoming scuffed when the bar stools are moved. To save you money, these bar stools are shipped with the seat detached. This bar stool requires light assembly by screwing in the seat to the frame with the four included screws.

 **WARNING:** This product can expose you to chemicals including lead, which are known to the State of California to cause cancer, birth defects, or other reproductive harm. For more information, go to www.p65warnings.ca.gov.