



## Lancaster Table & Seating Clear Coat Finish Cross Back Bar Stool with 2 1/2" Black Vinyl Padded Seat - Detached

#164BMCCVBKGD

Item #: 164BMCCVBKGD Qty: \_\_\_\_\_

Project: \_\_\_\_\_

Approval: \_\_\_\_\_ Date: \_\_\_\_\_



### Features

- Contoured back and built-in footrest for exceptional comfort
- Soft 2 1/2" thick vinyl padded cushion
- Sturdy steel frame and clear coat finish add extra durability and style
- Great for bar and raised table seating
- Ships unassembled to save on shipping costs

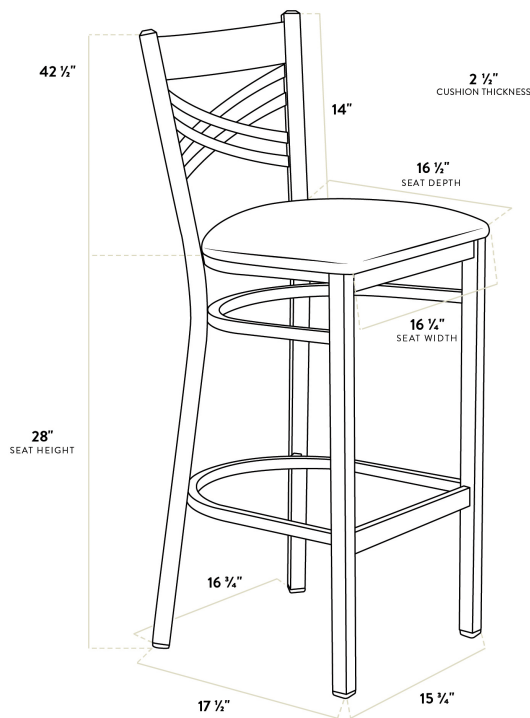
### Technical Data

Length	17 1/2 Inches
Width	17 1/4 Inches
Height	42 1/2 Inches
Seat Width	16 3/4 Inches
Seat Depth	16 1/2 Inches
Height Style	Bar Height
Seat Height	28 Inches
Arms	Without Arms
Back	With Back
Capacity	330 lb.

## Technical Data

Color	Silver
Frame Material	Metal Steel
Padded Seat	With Padded Seat
Seat Color	Black
Seat Material	Vinyl
Seat Thickness	2 1/2 Inches
Seat Type	Solid
Style	Cross Back
Type	Bar Stools
Usage	Indoor

## Plan View



## Notes & Details

Seat your guests in comfort and style with this Lancaster Table & Seating clear coat finish cross back bar stool with 2 1/2" black vinyl padded seat. This bar stool's sleek padded seat combines with its contemporary cross back steel frame to instill a modern look in any location. Plus, since this bar stool's back is contoured for a customer's back, it will provide comfort while maintaining a distinct appearance.

This bar stool's sturdy steel frame provides unmatched durability in your dining room. It can hold up to 330 lb. of weight thanks to the metal frame and supports under the seat. Additionally, the clear powder coating on this bar stool ensures longevity through everyday wear and tear, resisting strains, scratches, and smudges. It also features a cross back design that gives it a unique visual appeal, making it perfect for either upscale or casual decor. The 2 1/2" thick black vinyl padded seat provides exceptional comfort for your guests, and it's also durable and easy to clean! It is made with fire-retardant foam for added safety.

This convenient bar stool weighs just 17 lb., which makes it easy for staff and customers to set up and move these seats. Each leg has a glide on the bottom to protect floors from becoming scuffed when the bar stools are moved. To save you money, these bar stools are shipped with the seat detached. This bar stool requires light assembly by screwing in the seat to the frame with the four included screws.

 **WARNING:** This product can expose you to chemicals including lead, which are known to the State of California to cause cancer, birth defects, or other reproductive harm. For more information, go to [www.p65warnings.ca.gov](http://www.p65warnings.ca.gov).