



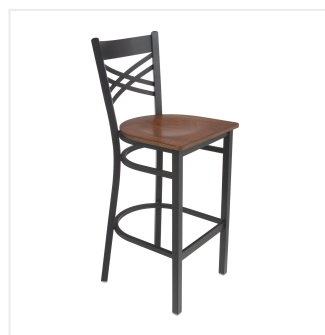
Lancaster Table & Seating Black Finish Cross Back Bar Stool with Antique Walnut Wood Seat - Assembled

#164BMCBWWLAS

Item #: 164BMCBWWLAS Qty: _____

Project: _____

Approval: _____ Date: _____



Features

- Contoured back and built-in footrest for exceptional comfort
- Trendy antique walnut wood seat brings a simple yet elegant style to any establishment
- Durable steel frame with stain- and smudge-resistant black powder coated finish
- Great for bar and raised table seating
- Conveniently ships fully assembled for immediate use

Certifications



Fully Assembled

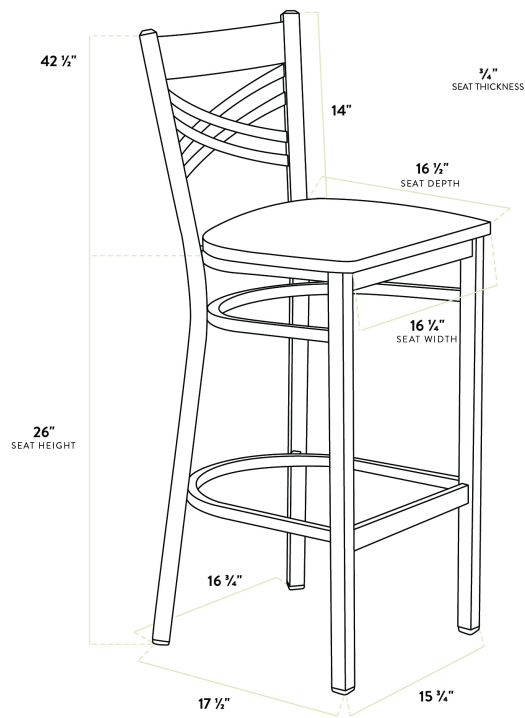
Technical Data

Length	17 1/2 Inches
Width	17 1/4 Inches
Height	42 1/2 Inches
Seat Width	16 3/4 Inches
Seat Depth	16 1/2 Inches
Height Style	Bar Height
Seat Height	28 Inches
Arms	Without Arms
Assembled	Fully Assembled
Back	With Back

Technical Data

Capacity	330 lb.
Color	Black
Finish	Black
Frame Material	Metal Steel
Padded Seat	Without Padded Seat
Seat Color	Brown
Seat Material	Wood
Seat Thickness	3/4 Inch
Seat Type	Solid
Style	Cross Back
Type	Bar Stools
Usage	Indoor

Plan View



Notes & Details

Seat your guests in comfort and style with this Lancaster Table & Seating black finish cross back bar stool with antique walnut wood seat. This bar stool's sturdy wood seat with a sleek antique walnut finish combines with its contemporary cross back steel frame to instill a modern look in any location. Plus, since this bar stool's back is contoured for a customer's back, it will provide comfort while maintaining a distinct appearance.

This bar stool's sturdy steel frame provides unmatched durability in your dining room. It can hold up to 330 lb. of weight thanks to the metal frame and supports under the seat. Additionally, the black powder coating on this bar stool ensures longevity through everyday wear and tear, resisting strains, scratches, and smudges. It also features a cross back design that gives it a unique visual appeal, making it perfect for either upscale or casual decor. The durable antique walnut wood seat is easy to clean, and it offers style and convenience in your establishment!

This convenient bar stool weighs just 17 lb., which makes it easy for staff and customers to set up and move these seats. Each leg has a glide on the bottom to protect floors from becoming scuffed when the bar stools are moved. To save you the time and hassle of assembly, this bar stool is shipped fully assembled with the seat already attached.

⚠ WARNING: This product can expose you to chemicals including lead, which are known to the State of California to cause cancer, birth defects, or other reproductive harm. For more information, go to www.p65warnings.ca.gov.