



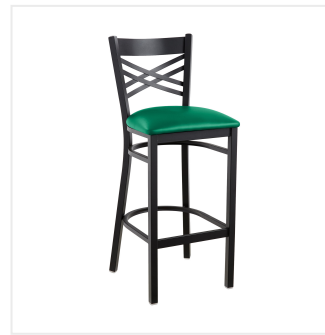
Lancaster Table & Seating Black Finish Cross Back Bar Stool with 2 1/2" Green Vinyl Padded Seat - Assembled

#164BMCBVGNAS

Item #: 164BMCBVGNAS Qty: _____

Project: _____

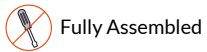
Approval: _____ Date: _____



Features

- Contoured back and built-in footrest for exceptional comfort
- Soft 2 1/2" thick vinyl padded cushion
- Durable steel frame with stain- and smudge-resistant black powder coated finish
- Great for bar and raised table seating
- Conveniently ships fully assembled for immediate use

Certifications



Fully Assembled

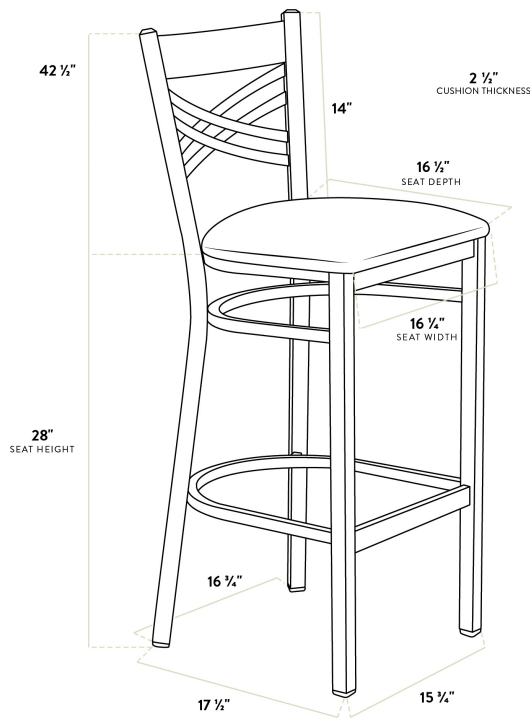
Technical Data

Length	17 1/2 Inches
Width	17 1/4 Inches
Height	42 1/2 Inches
Seat Width	16 3/4 Inches
Seat Depth	16 1/2 Inches
Height Style	Bar Height
Seat Height	28 Inches
Arms	Without Arms
Back	With Back
Capacity	330 lb.

Technical Data

Color	Black
Finish	Black
Frame Material	Metal Steel
Padded Seat	With Padded Seat
Seat Color	Green
Seat Material	Vinyl
Seat Thickness	2 1/2 Inches
Seat Type	Solid
Style	Cross Back
Type	Bar Stools
Usage	Indoor

Plan View



Notes & Details

Seat your guests in comfort and style with this Lancaster Table & Seating black finish cross back bar stool with 2 1/2" green vinyl padded seat. This bar stool's sleek padded seat combines with its contemporary cross back steel frame to instill a modern look in any location. Plus, since this bar stool's back is contoured for a customer's back, it will provide comfort while maintaining a distinct appearance.

This bar stool's sturdy steel frame provides unmatched durability in your dining room. It can hold up to 330 lb. of weight thanks to the metal frame and supports under the seat. Additionally, the black powder coating on this bar stool ensures longevity through everyday wear and tear, resisting strains, scratches, and smudges. It also features a cross back design that gives it a unique visual appeal, making it perfect for either upscale or casual decor. The 2 1/2" thick green vinyl padded seat provides exceptional comfort for your guests, and it's also durable and easy to clean! It is made with fire-retardant foam for added safety.

This convenient bar stool weighs just 17 lb., which makes it easy for staff and customers to set up and move these seats. Each leg has a glide on the bottom to protect floors from becoming scuffed when the bar stools are moved. To save you the time and hassle of assembly, this bar stool is shipped fully assembled with the seat already attached.

 **WARNING:** This product can expose you to chemicals including lead, which are known to the State of California to cause cancer, birth defects, or other reproductive harm. For more information, go to www.p65warnings.ca.gov.