



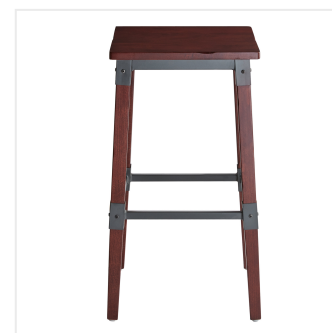
Lancaster Table & Seating Industrial Backless Bar Stool with Mahogany Finish

#164BINDMAHFR

Item #: 164BINDMAHFR Qty: _____

Project: _____

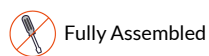
Approval: _____ Date: _____



Features

- Industrial style adds rustic charm to any establishment
- Seat and legs are made of solid wood with a mahogany finish
- Durable steel frame ensures a stable foundation
- Ships fully assembled for immediate use
- Plastic glides protect floors from scratches and scuffs

Certifications



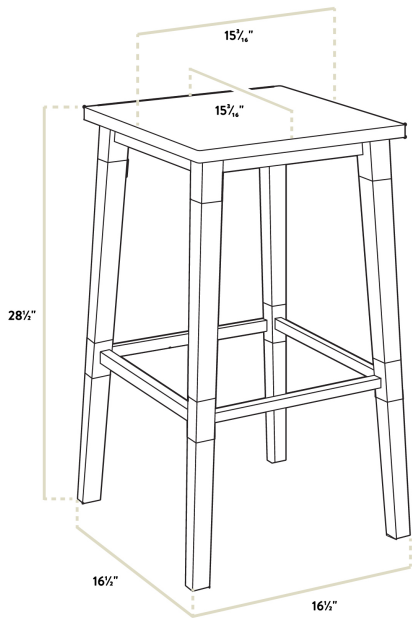
Technical Data

Width	16 1/2 Inches
Depth	16 1/2 Inches
Height	28 1/2 Inches
Seat Width	15 3/16 Inches
Seat Depth	15 3/16 Inches
Height Style	Bar Height
Arms	Without Arms
Assembled	Fully Assembled
Back	Without Back
Back Color	Brown

Technical Data

Capacity	350 lb.
Color	Brown
Features	Footrest
Finish	Mahogany
Frame Material	Steel Wood
Padded Seat	Without Padded Seat
Seat Color	Brown
Seat Material	Wood
Seat Type	Solid
Style	Industrial
Type	Backless Bar Stools
Usage	Indoor

Plan View




Notes & Details

Rural countryside meets urban city with this Lancaster Table & Seating industrial backless bar stool with mahogany finish! This bar stool's distressed finish and weathered texture combine with its sleek, square seat to add a rustic element with contemporary flair to your establishment. It features the natural look of wood with rugged metal accents for added visual appeal. At an ideal height for both bar and raised table seating, this bar stool is a versatile option for any brewery, winery, or restaurant.

This bar stool's sturdy steel frame provides unmatched durability in your dining room. It can hold up to 350 lb. of weight thanks to the metal frame and supports under the seat. The seat and legs are made of solid beechwood, which stands up better to daily use and is able to better resist gouging and chipping compared to other types of wood. Plus, the mahogany finish offers the ultimate in style and is sure to complement the atmosphere of your establishment.

Foot rungs below the seat give customers a place to rest their legs. Each leg comes with an integrated glide to protect your floors from scuffing. To save you the time and hassle of assembly, this bar stool is shipped fully assembled with the seat already attached. Pair this bar stool with other Lancaster Table & Seating industrial chairs, bar stools, or tables (sold separately) to complete your dining space!

 **WARNING:** This product can expose you to chemicals including lead, which are known to the State of California to cause cancer, birth defects, or other reproductive harm. For more information, go to www.p65warnings.ca.gov.