



## Lancaster Table & Seating Industrial Bar Stool with Mahogany Finish

#164BINDMAHAN

Item #: 164BINDMAHAN Qty: \_\_\_\_\_

Project: \_\_\_\_\_

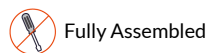
Approval: \_\_\_\_\_ Date: \_\_\_\_\_



### Features

- Industrial style adds rustic charm to any establishment
- Seat, back, and legs are made of solid wood with a mahogany finish
- Durable steel frame ensures a stable foundation
- Ships fully assembled for immediate use
- Plastic glides protect floors from scratches and scuffs

### Certifications



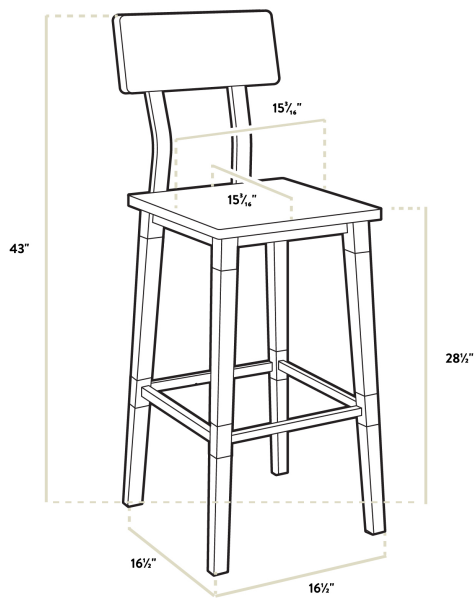
### Technical Data

|              |                |
|--------------|----------------|
| Width        | 16 1/2 Inches  |
| Depth        | 16 1/2 Inches  |
| Height       | 43 Inches      |
| Back Width   | 15 Inches      |
| Seat Width   | 15 3/16 Inches |
| Seat Depth   | 15 3/16 Inches |
| Back Height  | 6 1/4 Inches   |
| Height Style | Bar Height     |
| Seat Height  | 28 1/2 Inches  |
| Arms         | Without Arms   |

## Technical Data

|                |                     |
|----------------|---------------------|
| Assembled      | Fully Assembled     |
| Back           | With Back           |
| Back Color     | Brown               |
| Capacity       | 350 lb.             |
| Color          | Brown               |
| Features       | Footrest            |
| Finish         | Mahogany            |
| Frame Material | Steel<br>Wood       |
| Padded Seat    | Without Padded Seat |
| Seat Color     | Brown               |
| Seat Material  | Wood                |
| Seat Type      | Solid               |
| Style          | Industrial          |
| Type           | Bar Stools          |
| Usage          | Indoor              |

## Plan View



## Notes & Details

---

Rural countryside meets urban city with this Lancaster Table & Seating industrial bar stool with mahogany finish! This bar stool's distressed finish and weathered texture combine with its sleek, square seat to add a rustic element with contemporary flair to your establishment. It features the natural look of wood with rugged metal accents for added visual appeal. At an ideal height for both bar and raised table seating, this bar stool is a versatile option for any brewery, winery, or restaurant.

This bar stool's sturdy steel frame provides unmatched durability in your dining room. It can hold up to 350 lb. of weight thanks to the metal frame and supports under the seat. The seat, back, and legs are made of solid beechwood, which stands up better to daily use and is able to better resist gouging and chipping compared to other types of wood. Plus, the mahogany finish offers the ultimate in style and is sure to complement the atmosphere of your establishment. This bar stool also features a rectangular back that's contoured to provide extra support to your customers' upper backs.

Foot rungs below the seat give customers a place to rest their legs. Each leg comes with an integrated glide to protect your floors from scuffing. To save you the time and hassle of assembly, this bar stool is shipped fully assembled with the seat already attached. Pair this bar stool with other Lancaster Table & Seating industrial chairs, bar stools, or tables (sold separately) to complete your dining space!

**⚠ WARNING:** This product can expose you to chemicals including lead, which are known to the State of California to cause cancer, birth defects, or other reproductive harm. For more information, go to [www.p65warnings.ca.gov](http://www.p65warnings.ca.gov).