



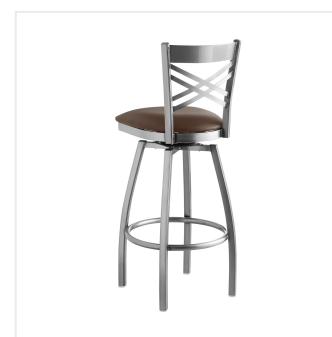
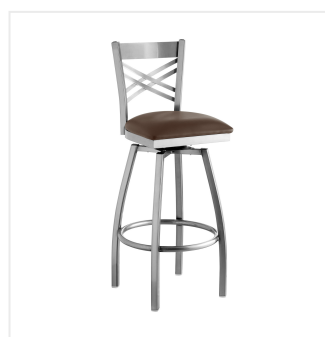
Lancaster Table & Seating Clear Coat Finish Cross Back Swivel Bar Stool with 2 1/2" Dark Brown Vinyl Padded Seat

#164BCROSCDBS

Item #: 164BCROSCDBS Qty: _____

Project: _____

Approval: _____ Date: _____



Features

- Contoured back and swivel design allows guests to comfortably socialize
- Soft 2 1/2" thick vinyl padded cushion
- Durable steel frame with stylish clear coat finish
- Great for bar and raised table seating
- Ships unassembled to save on shipping costs

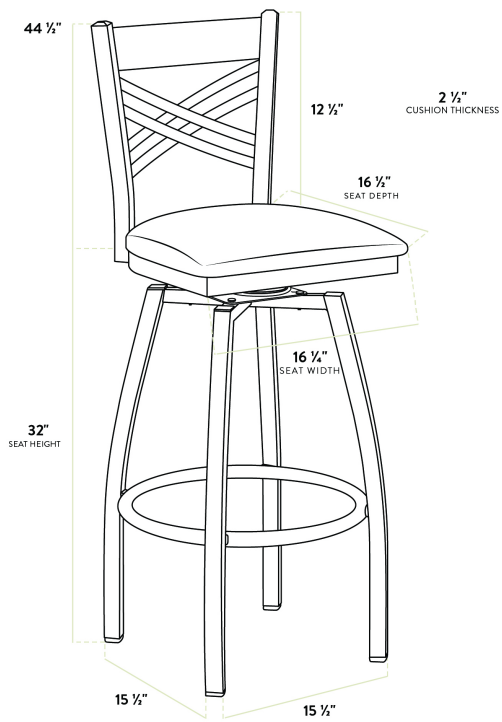
Technical Data

Length	16 1/2 Inches
Width	16 3/4 Inches
Height	44 1/2 Inches
Seat Width	16 3/4 Inches
Seat Depth	16 1/2 Inches
Height Style	Bar Height
Seat Height	32 Inches
Arms	Without Arms
Assembled	Assembly Required
Back	With Back

Technical Data

Capacity	330 lb.
Color	Silver
Features	Swivel Seat
Frame Color	Silver
Frame Material	Metal Steel
Padded Seat	With Padded Seat
Seat Color	Brown
Seat Material	Vinyl
Seat Thickness	2 1/2 Inches
Style	Cross Back
Type	Bar Stools

Plan View



Notes & Details

Seat your guests in comfort and style with this Lancaster Table & Seating clear coat finish cross back swivel bar stool with 2 1/2" dark brown vinyl padded seat. This bar stool's sleek padded seat combines with its contemporary cross back steel frame to instill a modern look in any location. Plus, since this bar stool's back is contoured, it will provide comfort for the customer while maintaining a distinct appearance.

This bar stool's sturdy steel frame provides unmatched durability in your dining room. It can hold up to 330 lb. of weight thanks to the steel frame and supports under the seat. Additionally, the clear powder coating on this bar stool ensures longevity through everyday wear and tear, resisting strains, scratches, and smudges. It also features a cross back design that gives it a unique visual appeal, making it perfect for either upscale or casual decor. The 2 1/2" thick dark brown vinyl padded seat provides comfort for your guests, and it's also durable and easy to clean! It is made with fire-retardant foam for added safety.

This bar stool's swivel design allows guests to turn in their bar stools to comfortably socialize and fully enjoy your venue. Plus, the footrest gives customers a place to rest their legs. Each leg of this bar stool has a glide on the bottom to protect floors from becoming scuffed when the bar stools are moved. To save you money, these bar stools are shipped with the seat detached. This bar stool requires light assembly by screwing in the seat cushion to the top frame and assembling the swivel plate into the base frame.

⚠ WARNING: This product can expose you to chemicals including lead, which are known to the State of California to cause cancer, birth defects, or other reproductive harm. For more information, go to www.p65warnings.ca.gov.