



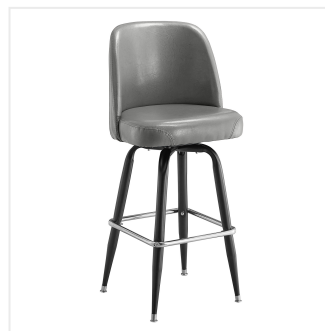
## Lancaster Table & Seating Slate Gray Vinyl Bar Stool with Swivel Bucket Seat

#164BBUCK19GY

Item #: 164BBUCK19GY Qty: \_\_\_\_\_

Project: \_\_\_\_\_

Approval: \_\_\_\_\_ Date: \_\_\_\_\_



### Features

- 3 1/2" thick vinyl padded bucket seat
- Attractive, easy-to-clean slate gray vinyl upholstery
- Plastic glides protect floors from scratches and scuffs
- Built-in footrest for exceptional comfort
- Swivel design allows guests to easily socialize

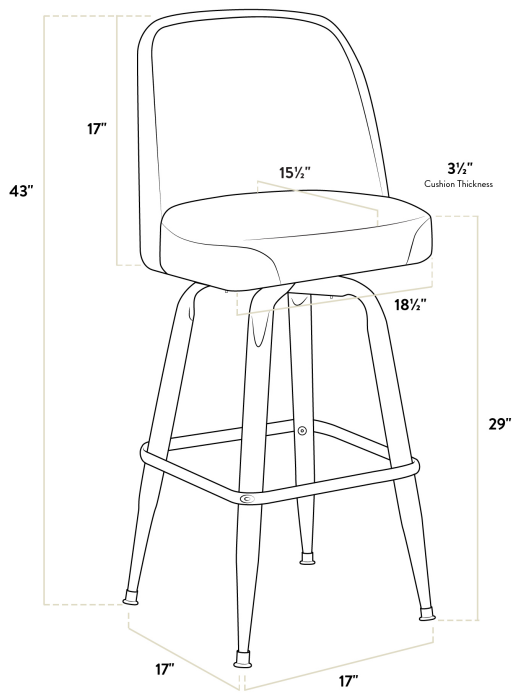
### Technical Data

Width	19 Inches
Height	43 Inches
Seat Width	18 1/2 Inches
Seat Depth	15 1/2 Inches
Height Style	Bar Height
Seat Height	29 Inches
Arms	Without Arms
Assembled	Assembly Required
Back	With Back
Back Color	Gray

## Technical Data

Capacity	300 lb.
Color	Gray
Cushion Thickness	4 Inches
Features	Footrest Swivel Seat
Frame Material	Metal Steel
Padded Seat	With Padded Seat
Seat Color	Gray
Seat Material	Vinyl
Seat Type	Solid
Style	Bucket Seat
Type	Chairs

## Plan View



## Notes & Details

Seat your guests in comfort and style with this Lancaster Table & Seating slate gray vinyl bar stool with swivel bucket seat. This bar stool's sleek padded seat combines with its contemporary steel frame to instill a modern look in any location. The 29" seat height is perfect for both bar and raised table seating, and the 18 1/2" wide bucket seat ensures that your guests can sit comfortably in your bar, club, or game room. Plus, the seat's wide, contoured back will provide comfort while maintaining a distinct appearance.

Thanks to the 18 gauge steel frame, this bar stool can hold up to 300 lb. of weight. Additionally, the black powder coating on this stool ensures longevity through everyday wear and tear, resisting strains, scratches, and smudges. The 3 1/2" thick slate gray vinyl padded seat provides exceptional comfort for your guests, and it's also durable and easy to clean! Simply use a damp cloth with mild soap to remove any dirt or spills. It is made with fire-retardant foam for added safety.

This bar stool's swivel design allows guests to turn their seats to comfortably socialize and fully enjoy your venue. Plus, the built-in footrest gives customers a place to rest their legs. Each leg comes with an integrated glide to protect your floors from scuffing. To save you money, these bar stools are shipped with the seat detached and require light assembly.

 **WARNING:** This product can expose you to chemicals including lead, which are known to the State of California to cause cancer, birth defects, or other reproductive harm. For more information, go to [www.p65warnings.ca.gov](http://www.p65warnings.ca.gov).