



Lancaster Table & Seating Caramel Brown Vinyl Bar Stool with Swivel Bucket Seat

#164BBUCK19BR

Item #: 164BBUCK19BR Qty: _____

Project: _____

Approval: _____ Date: _____



Features

- 3 1/2" thick vinyl padded bucket seat
- Attractive, easy-to-clean caramel brown vinyl upholstery
- Plastic glides protect floors from scratches and scuffs
- Built-in footrest for exceptional comfort
- Swivel design allows guests to easily socialize

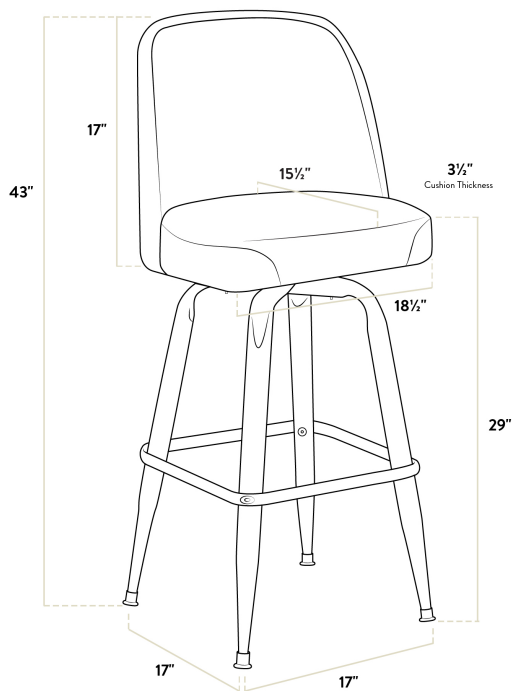
Technical Data

Width	19 Inches
Height	43 Inches
Seat Width	18 1/2 Inches
Seat Depth	15 1/2 Inches
Height Style	Bar Height
Seat Height	29 Inches
Arms	Without Arms
Back Color	Brown
Capacity	300 lb.
Color	Brown

Technical Data

Cushion Thickness	4 Inches
Features	Swivel Seat
Frame Material	Metal
Padded Seat	With Padded Seat
Seat Color	Brown
Seat Material	Vinyl
Style	Bucket Seat
Type	Chairs

Plan View



Notes & Details

Seat your guests in comfort and style with this Lancaster Table & Seating caramel brown vinyl bar stool with swivel bucket seat. This bar stool's sleek padded seat combines with its contemporary steel frame to instill a modern look in any location. The 29" seat height is perfect for both bar and raised table seating, and the 18 1/2" wide bucket seat ensures that your guests can sit comfortably in your bar, club, or game room. Plus, the seat's wide, contoured back will provide comfort while maintaining a distinct appearance.

Thanks to the 18 gauge steel frame, this bar stool can hold up to 300 lb. of weight. Additionally, the black powder coating on this stool ensures longevity through everyday wear and tear, resisting strains, scratches, and smudges. The 3 1/2" thick caramel brown vinyl padded seat provides exceptional comfort for your guests, and it's also durable and easy to clean! Simply use a damp cloth with mild soap to remove any dirt or spills. It is made with fire-retardant foam for added safety.

This bar stool's swivel design allows guests to turn their seats to comfortably socialize and fully enjoy your venue. Plus, the built-in footrest gives customers a place to rest their legs. Each leg comes with an integrated glide to protect your floors from scuffing. To save you money, these bar stools are shipped with the seat detached and require light assembly.

⚠ WARNING: This product can expose you to chemicals including lead, which are known to the State of California to cause cancer, birth defects, or other reproductive harm. For more information, go to www.p65warnings.ca.gov.