



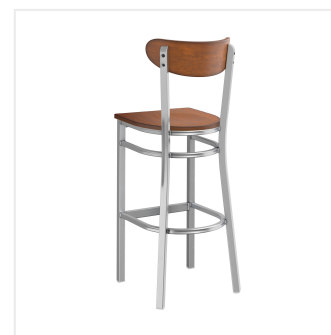
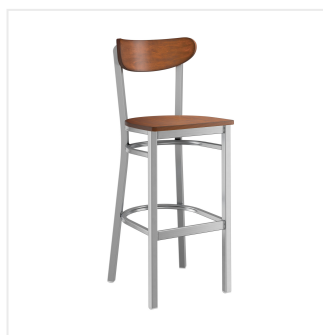
Lancaster Table & Seating Boomerang Series Clear Coat Finish Bar Stool with Antique Walnut Wood Seat and Back

#164BBMRNGCWW

Item #: 164BBMRNGCWW Qty: _____

Project: _____

Approval: _____ Date: _____



Features

- Contoured back and built-in footrest for exceptional comfort
- Antique walnut wood seat brings a contemporary style to your establishment
- Durable steel frame with stain- and smudge-resistant clear coat finish
- Great for bar and raised table seating
- Ships assembled for immediate use

Certifications



Fully Assembled

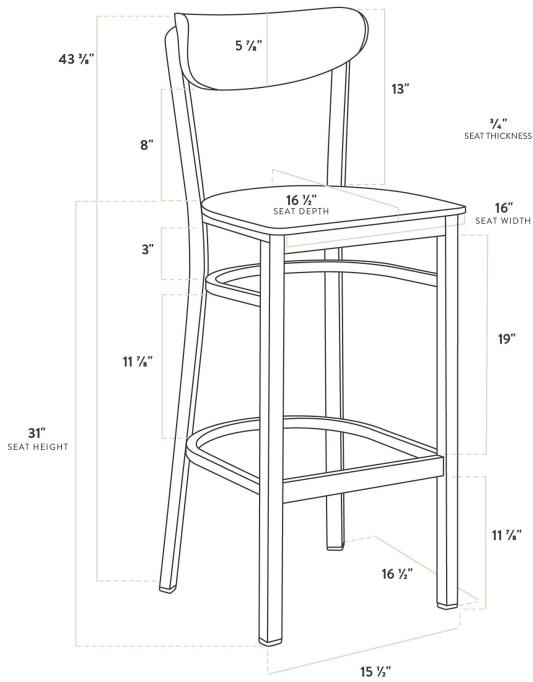
Technical Data

Width	16 1/4 Inches
Depth	16 1/2 Inches
Height	43 3/8 Inches
Seat Width	16 1/4 Inches
Seat Depth	16 1/2 Inches
Height Style	Bar Height
Seat Height	31 Inches
Arms	Without Arms
Assembled	Fully Assembled
Back	With Back

Technical Data

Back Color	Brown
Capacity	330 lb.
Color	Silver
Finish	Walnut
Frame Material	Metal Steel
Padded Seat	Without Padded Seat
Seat Color	Brown
Seat Material	Wood
Seat Thickness	3/4 Inch
Style	Boomerang
Type	Bar Stools
Usage	Indoor

Plan View



Notes & Details

Seat your guests in comfort and style with this Lancaster Table & Seating Boomerang Series clear coat finish bar stool with antique walnut wood seat and back. This bar stool's wooden Boomerang back and seat combines with its modern steel frame to instill a unique look in any location. Plus, since this bar stool's back is contoured for a customer's back, it will provide comfort while maintaining a distinct appearance.

This bar stool's sturdy steel frame provides unmatched durability in your commercial dining room. It can hold up to 330 lb. of weight thanks to the steel frame and supports under the seat. Additionally, the clear coat finish on this bar stool ensures longevity through everyday wear and tear, resisting stains, scratches, and smudges. It also features a Boomerang back that's contoured to provide extra support to your customers' upper backs. The antique walnut wood seat and back are easy to clean and maintain, and they offer style and convenience in any establishment!

The bar stool's built-in footrest gives customers a place to rest their legs. Each leg comes with an integrated glide to protect your floors from scuffing. To save you time and hassle, this bar stool ships fully assembled with the seat attached. Its reliable and contemporary design ensures you'll be using this bar height chair in your pub or restaurant for years to come.

 **WARNING:** This product can expose you to chemicals including lead, which are known to the State of California to cause cancer, birth defects, or other reproductive harm. For more information, go to www.p65warnings.ca.gov.