

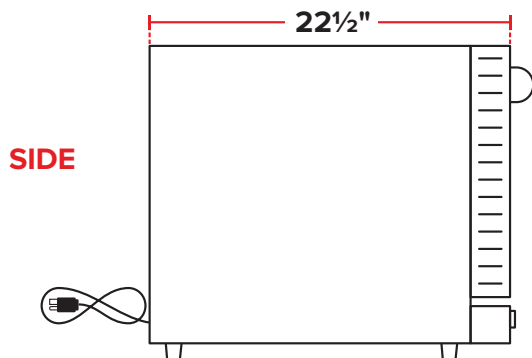
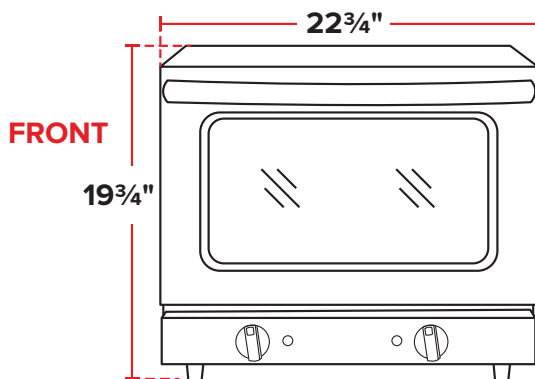
Half Size Countertop Convection Oven

ITEM NUMBER

#177CO28

SPECIAL FEATURES

- Holds (3) 1/4 size sheet pans
- Heat settings from 150-550°F
- Cool-touch dual pane glass door
- Stainless steel construction
- Forced-air circulation for even cooking
- 120 minute timer helps track cooking progress; operates with dial control
- Taller interior accommodates high-rising baked goods



TECHNICAL DATA

Exterior Dimensions	22 ³ / ₄ " x 22 ¹ / ₂ " x 19 ³ / ₄ "
Interior Dimensions	18 ¹ / ₂ " x 13" x 14"
Capacity	2.3 Cu. Ft.
Rack Capacity	(4) 1/2 Size Sheet Pans
Amps	11.7-13.5 Amps
Voltage	208/240V
Wattage	2800W
Hertz	60
Phase	1



6-20P