

Project Name: _____ AIA#: _____

Model #: _____ Location: _____

SIS#: _____ Item #: _____ Quantity: _____



Chefmate® by Globe Medium Duty Manual Slicer

**Safe and easy to use and
clean, plus easy on the budget!**

*Gear driven knife, stain resistant
anodized aluminum with removable parts.*



Model

- GC512 – 12" Diameter Knife

Standard Features

- 12" diameter gear driven, high torque knife
- 7/8" slice thickness
- 1/3 HP totally enclosed knife motor, permanently lubricated sealed ball bearings
- Stain resistant and easy to clean anodized aluminum base
- Easy to access top mounted, removable metal knife sharpener, with two stones and dual action for a razor sharp cutting edge!
- Knife cover interlock and permanently attached knife ring guard - for added operator safety during use and cleaning
- Stainless steel knife, food chute and slicer table
- Stainless steel knife and motor covers, slice deflector, and product receiving tray
- Easy-to-clean removable slice deflector and product tray
- Moisture proof, sanitation sealed ON/OFF switch
- Includes 6 foot cord and plug
- Power indicator light
- Non-slip rubber feet

Warranty

- One-year parts and labor

Optional items

- Vegetable hopper
- Slicer cover
- Extended warranty

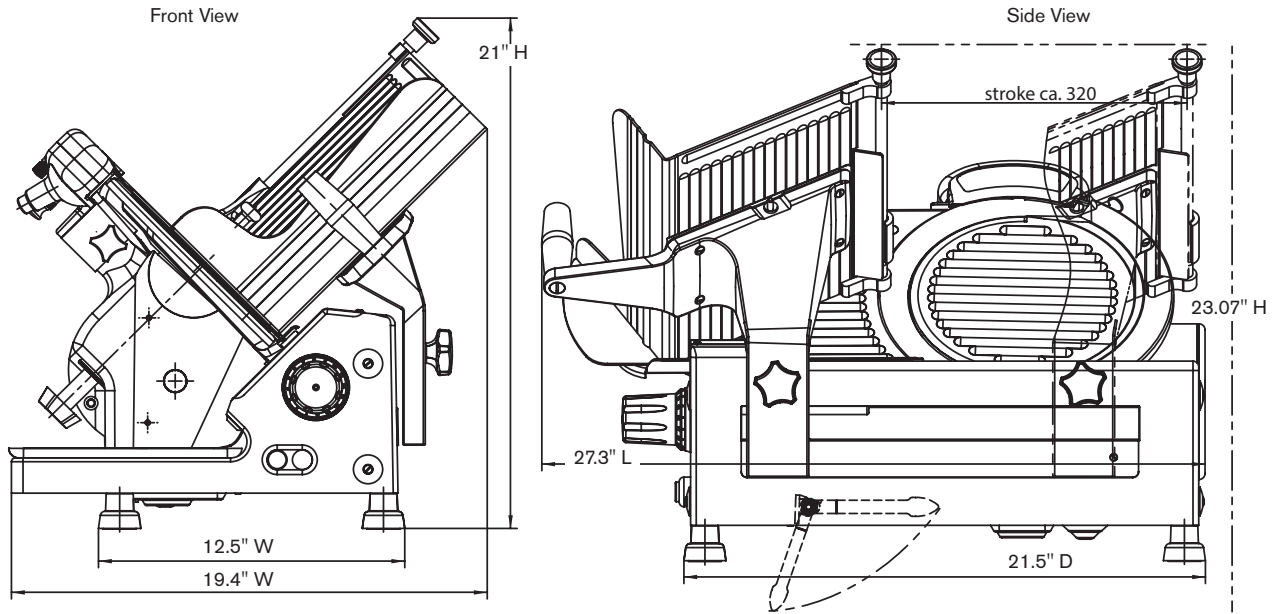
To select options, see complete list on back



AutoQuotes

Approved by: _____ Date: _____

2153 Dryden Rd., Dayton, OH 45439 | 937-299-5493 | 800-347-5423 | Fax: 937-299-4147 | www.globefoodequip.com



| SPECIFICATIONS | | | | | | | | | | | | |
|----------------|----------------|--------|----------|------|------------|------------------------|----------------|----------------|---------------|--------------------------|----------------|-----------------|
| Model | Auto or Manual | Motor | Volts | Amps | Drive Type | Slicing Volume per Day | Cheese Slicing | Blade Diameter | Max Slice | Product Cutting Capacity | | |
| | | | | | | | | | | W (Width) | D (Diameter) | H (Height) |
| GC512 | Manual | 1/3 HP | 115-60-1 | 4.8 | Gear | 4 hours | | 12" (30.5 cm) | 7/8" (1.4 cm) | 10" (25.4 cm) | 7.5" (19.5 cm) | 8.75" (22.2 cm) |

Cord & Plug: Attached 6 foot flexible 3-wire cord with molded plug fits a grounded receptacle. NEMA 5-15

| DIMENSIONS SHIPPING INFORMATION | | | | |
|---|--|-------------------|--|--------------------|
| Reinforced carton for shipping. The weight and dimensions of this reinforced carton are included below and may vary from shipment to shipment. Freight class 85. | | | | |
| Model | Overall Dimensions | Net Wt | Shipping Dimensions | Shipping Wt |
| GC512 | 19.4" w x 27.3" d x 21" h (49 cm x 69 cm x 53 cm) | 88 lbs (40 kg) | 21.5" w x 26.5" d x 28" h (55 cm x 67 cm x 71 cm) | 110 lbs (50 kg) |

Slicer has 12" diameter knife with anodized aluminum base and stainless steel food chute, slicer table, knife, knife and motor covers and product tray. Unit has 1/3 HP motor with permanently lubricated ball bearings. Slicer has top mounted, removable, dual action knife sharpener with two stones, and removable slice deflector and product tray. On/Off switch and electric wiring are moisture proof, with sealed splash zones. Slicer is NSF and ETL listed. One year parts and labor warranty.

OPTIONAL ITEMS:

- A420VH** vegetable hopper
- SC-LARGE** large slicer cover
- G-XDSL** Extended warranty extends factory warranty to 2 years on parts and labor in the continental U.S.

Available only at time of purchase.