



36 E Series Heavy Duty Range Attachment

Item: _____
 Quantity: _____
 Project: _____
 Approval: _____
 Date: _____

36 E Series Heavy Duty Range Attachment

Models:

36ES16

Range Attachment With All Purpose Top



Model 36ES16

Standard Features:

- Stainless steel front and sides
- Stainless steel front rail
- 18" (457mm) all purpose plate controlled by thermostat, 290°/650°F (143°/343°C)
- Storage base with stainless steel door
- 6" (152mm) adjustable chrome plated legs (NSF)
- One Year limited parts & labor (USA & Canada)

Optional Features:

- Stainless steel main back (S models)
- Set of (4) Polyurethane (non-marking) swivel casters complete with front brakes
- 6" (152mm) adjustable stainless steel legs.
- High voltage 460V
- Marine equipment - storm rails for pots, hand rails,, drip tray stop and deck fasteners

NOTE: Attachments supplied with casters must be installed with an approved restraining device.

Specifications:

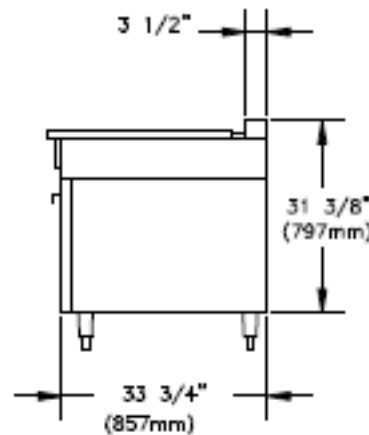
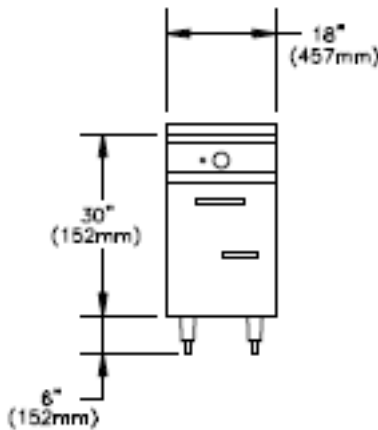
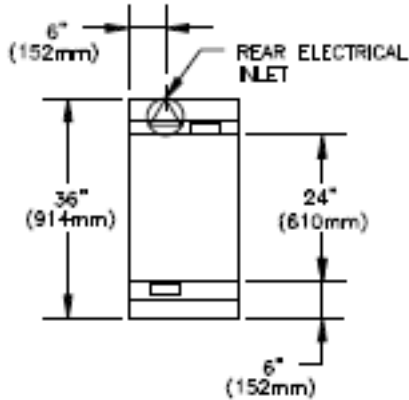
Heavy Duty electric range attachment Model 36ES16 with all purpose plate top and cabinet base. The top section plate has welded 1/2" (13mm) high raised side lips to control grease, and a thermostat-controlled heat zone. Available in single phase only. Stainless steel front and sides. Attachments are available with casters or for dais mount.



MODEL	TOTAL kW	NOMINAL AMPERES PER LINE		
		SINGLE PHASE		
		208V	240V	460V
36ES16	6.0	29	25	13

CLEARANCES			
ENTRY		TO COMBUSTIBLE WALL	
CRATED	UNCRAVED	SIDES	REAR
20-3/4" (527mm)	18-14" (9464mm)	3" (76mm)	1/2" (13mm)

Shipping Information		
Model	Wt. Lb/Kg	Cu Ft
36ES16	255/116	28



Garland products are not approved or authorized for home or residential use, but are intended for commercial applications only. Garland will not provide service, warranty, maintenance or support of any kind other than in commercial applications.

Form# 36ES16 (03/26/13)