



Project _____

Item # _____

Quantity _____

Flav-R 2-Go™ Locker System - Built-In

Models: F2GB-22-A, -23-A, -3-A, -32-A, -33-A, 42-A,
-43-A, -52-A
F2GB-22-C, -23-C, -3-C, -32-C, -33-C, 42-C,
-43-C, -52-C

The Hatco Flav-R 2-Go™ Locker System - Built-In, designed specifically for your pick-up and third-party delivery needs, is capable of holding multiple orders of hot or ambient food with quick and secure access. By reducing congestion and allowing employees to focus on other functions, customers or delivery people can arrive, access their specific locker, and leave without waiting in line or disturbing the flow of other business.

Standard features

- A great solution to handling pick-up, third-party delivery and to-go orders in a non-contact manner
- Floor mount and countertop models also available, see alternate spec sheets
- Individual lockers can have the heat turned off for ambient storage
- Lockers can hold prepared and packaged food for up to 45 minutes
- Lockers come preset to 150°F (66°C) with a high temperature range up to 200°F (93°C)
- Large 10" (254 mm) touchscreen for easy viewing (front and/or back)
- Customer side stays locked. When the access code is used, the door unlocks and LED lights flash in the appropriate locker
- Internal lights can be programmed to six different colors: blue (standard), red, green, yellow, magenta or white
- Manual (standard) or POS integration capabilities available (outside vendor required)
- Available in two locker depth sizes, *Designer* colors and the ability to have a custom logo on the customer side glass doors
- Comes ready to mount with wall bracket (mounting hardware not include)



F2GB-22-A
Customer side shown, in standard *Designer Warm Red*

F2GB-22-A
Operator side shown, in optional *Designer Black*

Options (available at time of purchase only)

Designer Colors –

- Non-standard colors are non-returnable – Warm Red standard
- Black Gray Granite White Granite
 - Navy Blue Hunter Green Antique Copper

Right Side Control Panel – left side control panel standard –

- F2GB-3 F2GB-32 F2GB-52 F2GB-33
- Cord Location, operator side, bottom right corner – in lieu of standard, operator side, bottom left corner –

For operation, location and safety information, please refer to the Installation & Operating Manual.

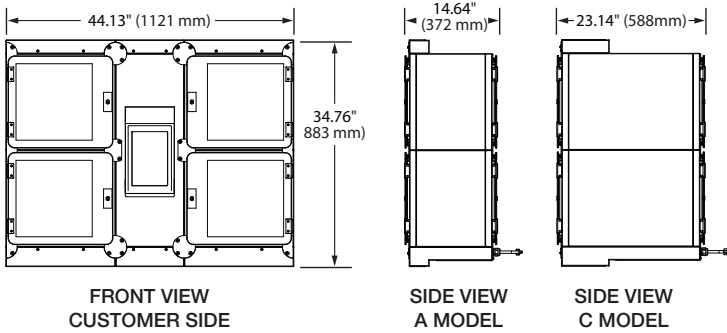




Flav-R 2-Go™ Locker System - Built-In

Models: F2GB-22-A, -23-A, -3-A, -32-A, -33-A, 42-A, -43-A, -52-A
 F2GB-22-C, -23-C, -3-C, -32-C, -33-C, 42-C, -43-C, -52-C

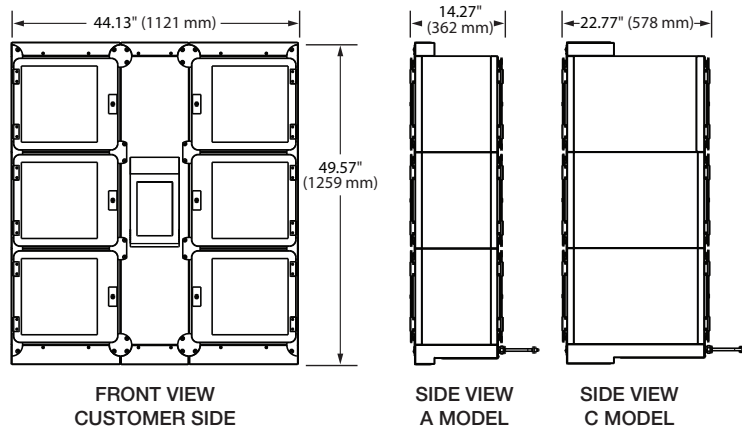
F2GB-22



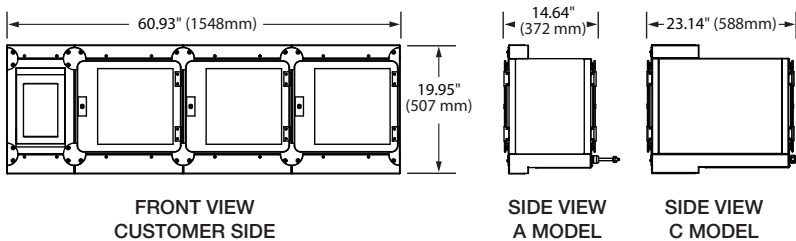
Cut-Out Dimensions

Model	Width - (Min to Max)	Height - (Min to Max)
F2GB-22	44.38" to 44.88" (1127 to 1140 mm)	31.98" to 32.48" (812 to 825 mm)
F2GB-23	44.38" to 44.88" (1127 to 1140 mm)	46.79" to 47.29" (1188 to 1201 mm)
F2GB-3	61.18" to 61.68" (1554 to 1567 mm)	17.17" to 17.67" (436 to 449 mm)
F2GB-32	61.18" to 61.68" (1554 to 1567 mm)	31.98" to 32.48" (812 to 825 mm)
F2GB-33	61.18" to 61.68" (1554 to 1567 mm)	46.79" to 47.29" (1188 to 1201 mm)
F2GB-42	78" to 78.5" (1981 to 1994 mm)	31.98" to 32.48" (812 to 825 mm)
F2GB-43	78 to 78.50" (1981 to 1994 mm)	46.79" to 47.29" (1188 to 1201 mm)
F2GB-52	94.8" to 95.3" (2408 to 2421 mm)	31.98" to 32.48" (812 to 825 mm)

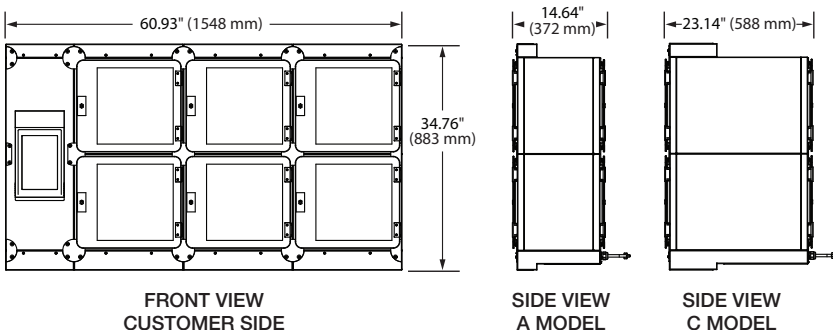
F2GB-23



F2GB-3



F2GB-32

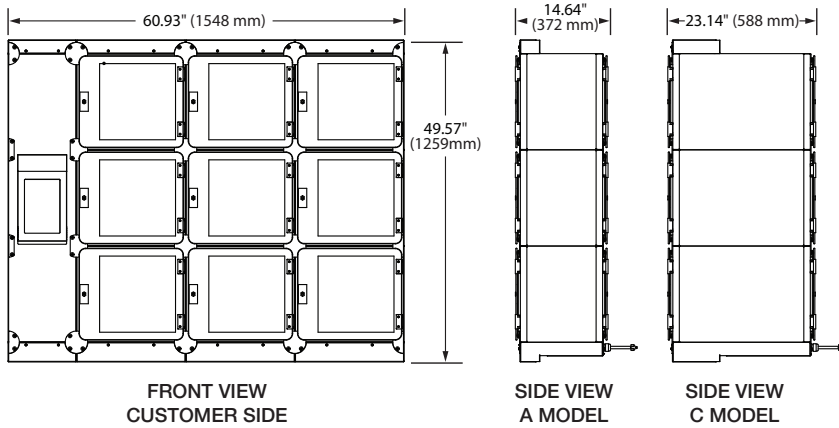




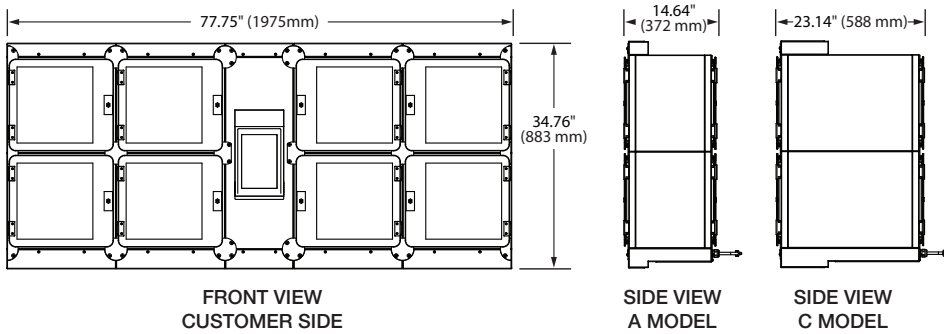
Flav-R 2-Go™ Locker System - Built-In

Models: F2GB-22-A, -23-A, -3-A, -32-A, -33-A, 42-A, -43-A, -52-A
F2GB-22-C, -23-C, -3-C, -32-C, -33-C, 42-C, -43-C, -52-C

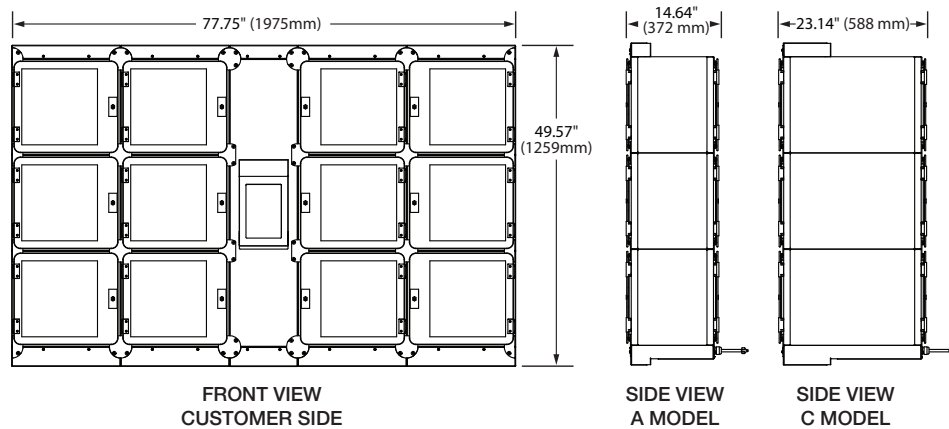
F2GB-33



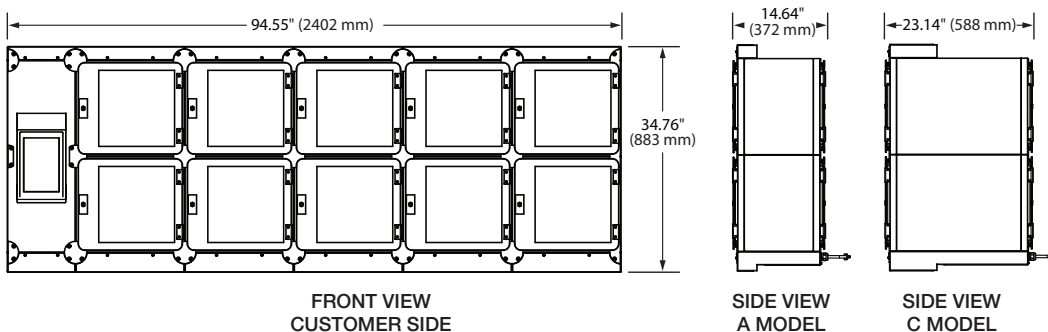
F2GB-42



F2GB-43



F2GB-52



HATCO CORPORATION | P.O. Box 340500 Milwaukee, WI 53234-0500 U.S.A.
(800) 558-0607 | (414) 671-6350 | www.hatcocorp.com | support@hatcocorp.com



Flav-R 2-Go™ Locker System - Built-In

Models: F2GB-22-A, -23-A, -3-A, -32-A, -33-A, 42-A, -43-A, -52-A
 F2GB-22-C, -23-C, -3-C, -32-C, -33-C, 42-C, -43-C, -52-C

SPECIFICATIONS

Flav-R 2-Go™ Locker Systems - Built-In

Model	Model Dimensions (W x D x H)	Number of Lockers	Internal Locker Dimensions	Volts	Watts	Amps	Plug
F2GB-22-A	44.13" x 14.64" x 34.76" (1121 x 372 x 883 mm)	4 lockers	12" x 12" x 12" (305 x 305 x 305 mm)	120	423	3.8	NEMA 5-15P
F2GB-22-C	44.13" x 23.14" x 34.76" (1121 x 588 x 883 mm)	4 lockers	12" x 20.5" x 12" (305 x 521 x 305 mm)	120	551	4.8	NEMA 5-15P
F2GB-23-A	44.13" x 14.27" x 49.57" (1121 x 362 x 1259 mm)	6 lockers	12" x 12" x 12" (305 x 305 x 305 mm)	120	627	5.5	NEMA 5-15P
F2GB-23-C	44.13" x 22.77" x 49.57" (1121 x 578 x 1259 mm)	6 lockers	12" x 20.5" x 12" (305 x 521 x 305 mm)	120	819	7.1	NEMA 5-15P
F2GB-3-A	60.93" x 14.64" x 19.95" (1548 x 372 x 507 mm)	3 lockers	12" x 12" x 12" (305 x 305 x 305 mm)	120	321	2.9	NEMA 5-15P
F2GB-3-C	60.93" x 23.14" x 19.95" (1548 x 588 x 507 mm)	3 lockers	12" x 20.5" x 12" (305 x 521 x 305 mm)	120	417	3.7	NEMA 5-15P
F2GB-32-A	60.93" x 14.64" x 34.76" (1548 x 372 x 883 mm)	6 lockers	12" x 12" x 12" (305 x 305 x 305 mm)	120	627	5.5	NEMA 5-15P
F2GB-32-C	60.93" x 23.14" x 34.76" (1548 x 588 x 883 mm)	6 lockers	12" x 20.5" x 12" (305 x 521 x 305 mm)	120	819	7.1	NEMA 5-15P
F2GB-33-A	60.93" x 14.64" x 49.57" (1548 x 372 x 1259 mm)	9 lockers	12" x 12" x 12" (305 x 305 x 305 mm)	120	933	8.2	NEMA 5-15P
F2GB-33-C	60.93" x 23.14" x 49.57" (1548 x 588 x 1259 mm)	9 lockers	12" x 20.5" x 12" (305 x 521 x 305 mm)	120	1221	10.6	NEMA 5-15P
F2GB-42-A	77.75" x 14.64" x 34.76" (1975 x 372 x 883 mm)	8 lockers	12" x 12" x 12" (305 x 305 x 305 mm)	120	831	7.3	NEMA 5-15P
F2GB-42-C	77.75" x 23.14" x 34.76" (1975 x 588 x 883 mm)	8 lockers	12" x 20.5" x 12" (305 x 521 x 305 mm)	120	1087	9.4	NEMA 5-15P
F2GB-43-A	77.75" x 14.64" x 49.57" (1975 x 372 x 1259 mm)	12 lockers	12" x 12" x 12" (305 x 305 x 305 mm)	120	1239	10.8	NEMA 5-15P
F2GB-43-C	77.75" x 23.14" x 49.57" (1975 x 588 x 1259 mm)	12 lockers	12" x 20.5" x 12" (305 x 521 x 305 mm)	120	1623	14.0	NEMA 5-15P [▲]
F2GB-52-A	94.55" x 14.64" x 34.76" (2402 x 372 x 883 mm)	10 lockers	12" x 12" x 12" (305 x 305 x 305 mm)	120	1035	9.1	NEMA 5-15P
F2GB-52-C	94.55" x 23.14" x 34.76" (2402 x 588 x 883 mm)	10 lockers	12" x 20.5" x 12" (305 x 521 x 305 mm)	120	1355	11.7	NEMA 5-15P

▲ Canadian models use NEMA 5-20P.

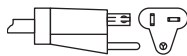
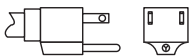
CORD LOCATION

Operator side, bottom left corner.

PLUG CONFIGURATIONS

NEMA 5-15P

NEMA 5-20P



PRODUCT SPECS

Flav-R 2-Go™ Locker System

The Locker System shall be a Flav-R 2-Go™ Model ... , rated at ... volts, and ... watts, by the Hatco Corporation, Milwaukee, WI 53234 U.S.A.

The lockers shall consist of magnetically locked hinged doors, heated base, a 10" (254 mm) touchscreen controller on both sides of the unit, a Power on/off switch, LED

lighting and a 6' (1829 mm) cord with plug attached.

Warranty consists of 24/7 parts and service assistance (U.S. and Canada only).

HATCO CORPORATION | P.O. Box 340500 Milwaukee, WI 53234-0500 U.S.A.
 (800) 558-0607 | (414) 671-6350 | www.hatcocorp.com | support@hatcocorp.com