

Item #: 348MDD36189 Project: \_\_\_\_\_

Qty: \_\_\_\_\_ Date: \_\_\_\_\_ Approval: \_\_\_\_\_

## Estella MDD36189 Manual Dough Divider - 6.6 lb. Capacity, 9, 18, & 36 Part

Item #348MDD36189



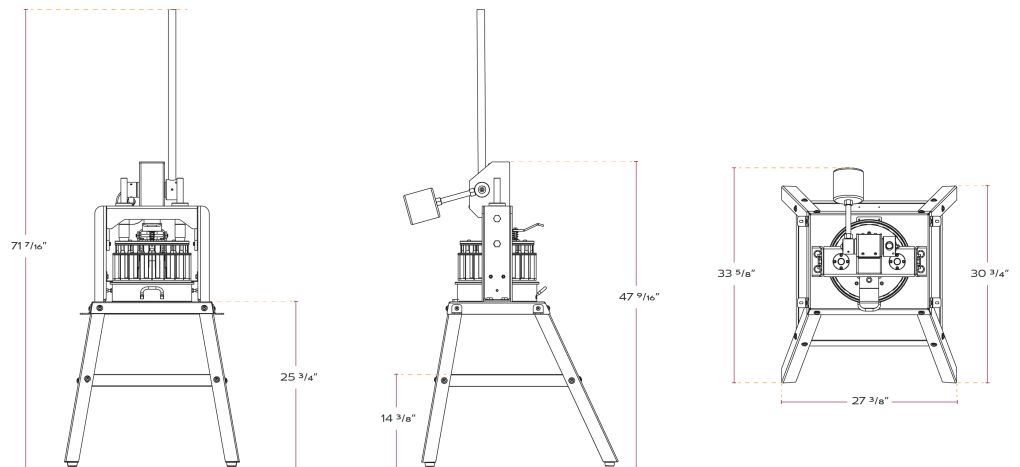
### Technical Data

Width	20 7/8 Inches
Depth	17 5/16 Inches
Height	74 1/2 Inches
Number of Portions	9/18/36
Portion Weight	0.9 - 11.6 oz.
Power Type	Manual
Style	Floor Model
Type	Dough Dividers

### Features

- Easily divide your dough into 9, 18, or 36 equal portions
- Interchangeable head assemblies (sold separately) give you a variety of options for dough sizes
- Can be used with a variety of doughs including pizza, bread, tortilla, and cookie dough
- Easy disassembly for no-hassle cleaning
- Floor model with stand included

## Plan View



## Notes & Details

Create perfectly consistent portions of dough each and every time with the Estella MDD36189 manual dough divider. This machine easily divides a wide variety of doughs into 9 equal portions between 3.6 and 11.6 oz in size, 18 equal portions between 1.8 and 5.8 oz. in size., or 36 equal portions between 0.9 and 2.9 oz. in size. Reduce the time you spend portioning dough by hand drastically with this manual dough divider. Simply place your dough on the tray and pull the handle, and in seconds you have perfect, identical balls of ready-to-use dough.

This floor model manual dough divider allows for interchangeable head assemblies, and comes with 9 part, 18 part, and 36 part dividing head assemblies, giving you plenty of options for how to divide your dough. This dough divider can be used on a number of different doughs including pizza, bread, tortilla, or cookie dough. When you're finished, easy disassembly makes for a no-hassle cleanup. This dough divider is sure to be a time saver in any kitchen or bakery.

**⚠ WARNING:** This product can expose you to chemicals including lead, which are known to the State of California to cause cancer, birth defects, or other reproductive harm. For more information, go to [www.p65warnings.ca.gov](http://www.p65warnings.ca.gov).