

Item #: 348MDD18 Project: _____

Qty: _____ Date: _____ Approval: _____

Estella MDD18 Manual Dough Divider - 6.6 lb. Capacity, 18 Part

Item #348MDD18



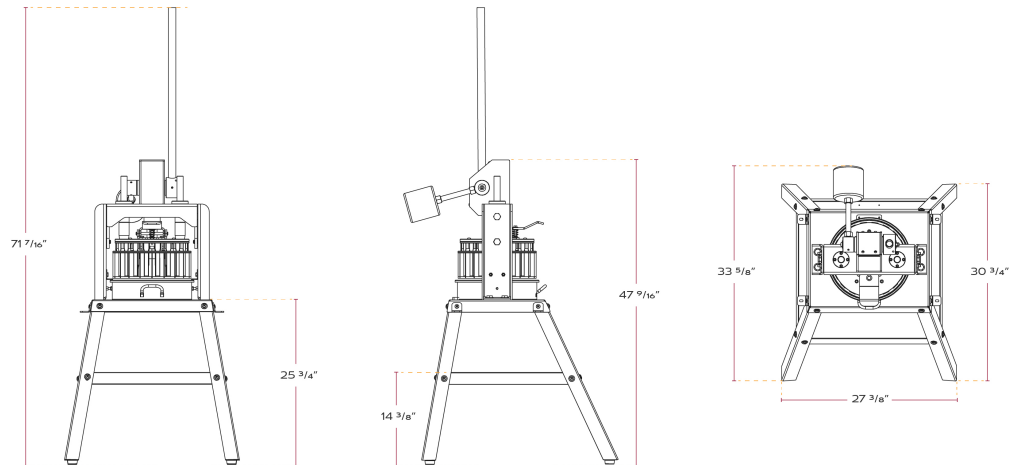
Technical Data

Width	20 7/8 Inches
Depth	17 5/16 Inches
Height	74 1/2 Inches
Number of Portions	18
Portion Weight	1.8 - 5.8 oz.
Power Type	Manual
Style	Floor Model
Type	Dough Dividers

Features

- Easily divide your dough into 18 equal portions
- Interchangeable head assemblies (sold separately) give you a variety of options for dough sizes
- Can be used with a variety of doughs including pizza, bread, tortilla, and cookie dough
- Easy disassembly for no-hassle cleaning
- Floor model with stand included

Plan View



Notes & Details

Create perfectly consistent portions of dough each and every time with this Estella MDD 18 manual dough divider. This machine easily divides a wide variety of doughs into 18 equal portions between 1.8 and 5.8 oz. in size. Reduce the time you spend portioning dough by hand drastically with this manual dough divider. Simply place your dough on the tray and pull the handle, and in seconds you have perfect, identical balls of ready-to-use dough.

This floor model manual dough divider allows for interchangeable head assemblies, so you can also divide dough into 9 or 36 portions with use of the 9 part or 36 part dividing head assemblies (sold separately). This dough divider can be used on a number of different doughs including pizza, bread, tortilla, or cookie dough. When you're finished, easy disassembly makes for a no-hassle cleanup. This dough divider is sure to be a time saver in any kitchen or bakery.

⚠ WARNING: This product can expose you to chemicals including lead, which are known to the State of California to cause cancer, birth defects, or other reproductive harm. For more information, go to www.p65warnings.ca.gov.