

Item #: 348DSC78 Project: _____

Qty: _____ Date: _____ Approval: _____

Estella DSC78 78" Countertop Reversible Dough Sheeter - 110V, 3/4 hp

Item #348DSC78



Technical Data

Width	81 7/8 Inches
Depth	34 5/8 Inches
Height	24 7/16 Inches
Conveyor Length	78 Inches
Conveyor Width	19 3/4 Inches
Folded Width	29 1/2 Inches
Folded Depth	34 5/8 Inches
Folded Height	33 1/16 Inches
Amps	4.67 Amps
Hertz	60 Hertz

Features

- Easily adjustable for any dough thickness between 1/32" and 1 3/8"
- Spacious 19 3/4" x 78" conveyor belt; 20 1/2" roller allows up to 11 lb. of dough at a time
- Reversible belt and durable stainless steel body for versatile, high-volume use
- Conveniently sits on the countertop to open up floor space; folds up for compact storage
- Perfect for bakeries or pizzerias; 110V, 560W

Certifications



5-15P



ETL Sanitation

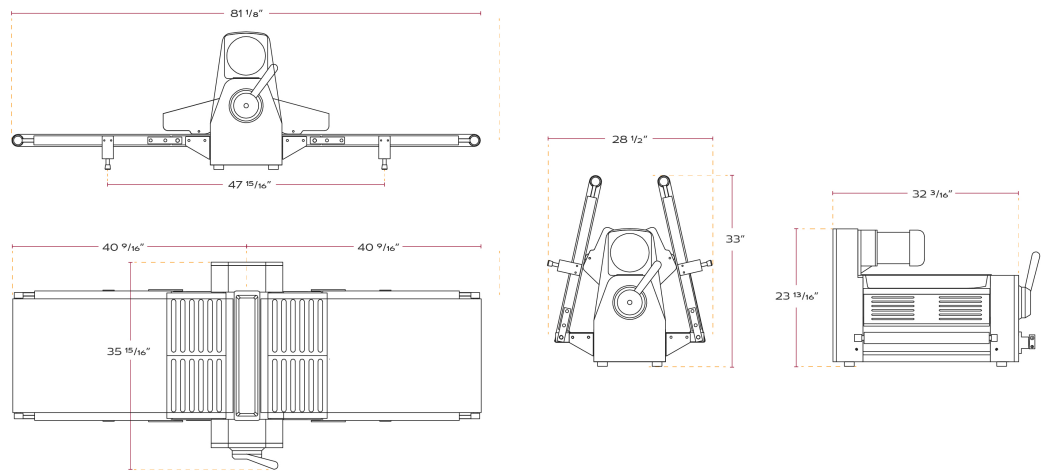


ETL, US & Canada

Technical Data

Phase	1 Phase
Voltage	110 Volts
Wattage	560 Watts
Belt Material	Polyurethane
Dough Capacity	11 lbs.
Horsepower	3/4 HP
Maximum Dough Thickness	1 3/8 Inches
Minimum Dough Thickness	1/32 Inch
Plug Type	NEMA 5-15P
Power Type	Electric
Style	Countertop
Transmission Type	Belt-Driven
Type	Reversible Dough Sheeters

Plan View



Notes & Details

Save time and labor in your bakery or pizzeria by adding this Estella 78" reversible countertop dough sheeter to your preparation area. Designed to quickly roll out several pounds of dough per minute, this sheeter features a 20 1/2" roller and can produce dough thickness between 1/32" and 1 3/8". The roller is equipped to roll up to 11 lb. of dough at a time, perfect for high-volume operations. It utilizes a 19 3/4" wide conveyor to move dough through the machine, and the conveyor is reversible for quick rolling from either side of the unit to accommodate the flow of your operation.

This model is made of durable, corrosion-resistant stainless steel to withstand the rigors of commercial environments while remaining easy to clean at the end of the day. The supports on either end of the machine fold up for space-saving storage, and the entire unit is designed to sit on the countertop for a reduced footprint in the kitchen. It also has several safety features to prevent worker injuries or damage to the motor, including safety guards and an emergency stop switch. A 110V electrical connection is required for operation.

⚠ WARNING: This product can expose you to chemicals including lead, which are known to the State of California to cause cancer, birth defects, or other reproductive harm. For more information, go to www.p65warnings.ca.gov.