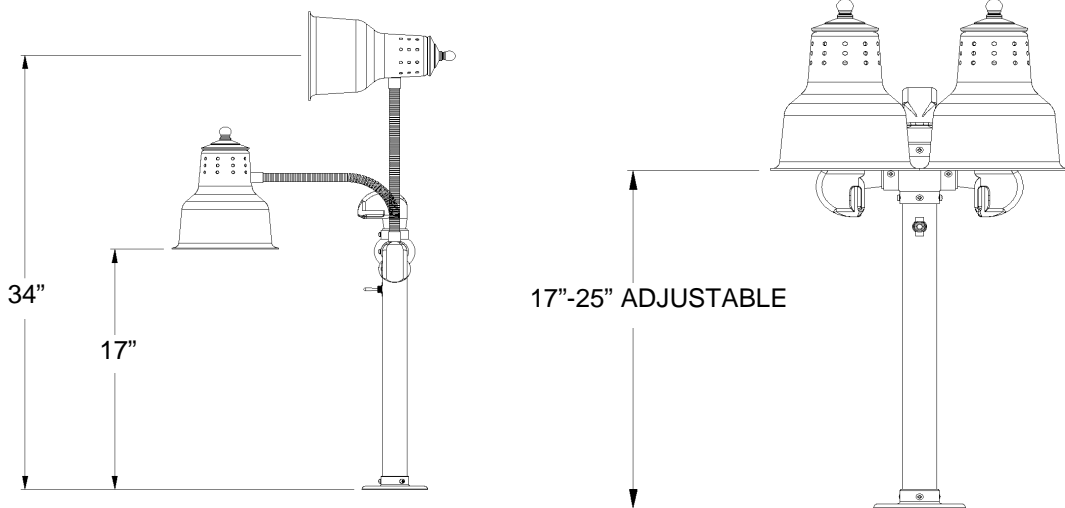
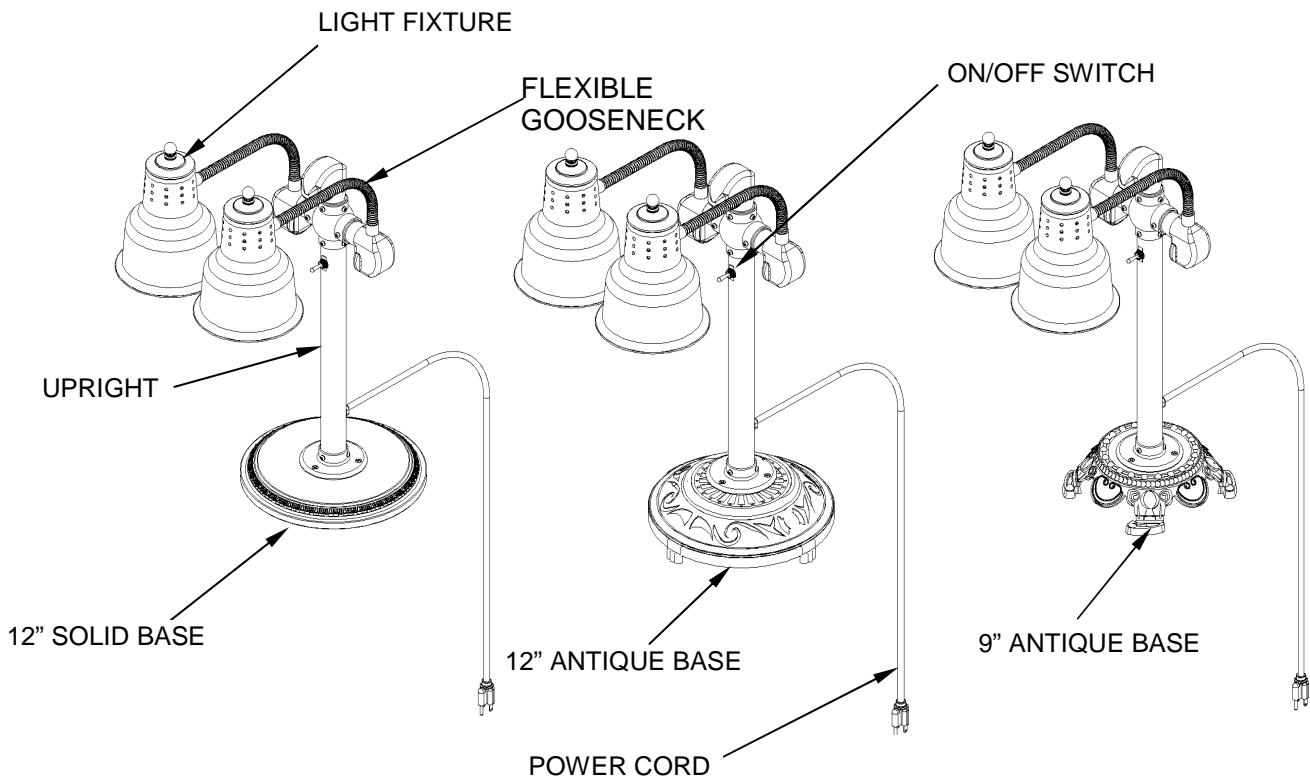



DLM Free Standing Dual Lamps



DLM Free Standing Dual Lamps

Description: Dual heat lamp fixtures mounted on a 9" solid or antique base or 12" solid or antique base. CH models denote mirror polished Stainless Steel construction BR models denote Brass construction with baked on enamel finish to eliminate need for polishing. All internal components including lamp sockets and wiring are high temperature rated (200°C). Lamp body and fittings constructed of solid brass. Switch is rated for 15 amps @ 120 volts. Power cord exits through side of upright.

Standard Models	
Model Number	Description
DLM/RB9/SOL/BR	Free standing dual lamp warmer with 9" solid base, Polished Brass
DLM/RB9/SOL/CH	Free standing dual lamp warmer with 9" solid base, mirror polished Stainless Steel construction
DLM/RB9/SOL/BC	Free standing dual lamp warmer with 9" solid base, bright copper finish
DLM/RB9/SOL/SC	Free standing dual lamp warmer with 9" solid base, smoked copper finish
DLM/RB9/ANT/BR	Free standing dual lamp warmer with 9 " antique base, Polished Brass
DLM/RB9//ANT/CH	Free standing dual lamp warmer with 9 " antique base, mirror polished Stainless Steel construction
DLM/RB9/ANT/BC	Free standing dual lamp warmer with 9 " antique base, bright copper finish
DLM/RB9/ANT/BC	Free standing dual lamp warmer with 9 " antique base, smoked copper finish
DLM/RB12/SOL/BR	Free standing dual lamp warmer with 12" solid base, Polished Brass
DLM/RB12/SOL/CH	Free standing dual lamp warmer with 12" solid base, mirror polished Stainless Steel construction
DLM/RB12/SOL/BC	Free standing dual lamp warmer with 12" solid base, bright copper finish
DLM/RB12/SOL/SC	Free standing dual lamp warmer with 12" solid base, smoked copper finish
DLM/RB12/ANT/BR	Free standing dual lamp warmer with 12" antique base, Polished Brass
DLM/RB12/ANT/CH	Free standing dual lamp warmer with 12" antique base, mirror polished Stainless Steel construction
DLM/RB12/ANT/BC	Free standing dual lamp warmer with 12" antique base, bright copper finish
DLM/RB12/ANT/SC	Free standing dual lamp warmer with 12" antique base, smoked copper finish
Custom Finishes Available	
Specifications	
Light head height from mounting surface	Adjustable 17"-25"
Upright and all fittings	Solid brass or Stainless Steel
Shipping weight	Approximately 18 pounds
Internal wiring	18 gauge Silver stranded with Teflon insulation. Rated (200° C)
Lamp socket	Glazed porcelain/nickel. Rated (200° C)
Switch	On/Off rated 15 amps @ 115 VAC
Power cord	115 VAC-18 gauge 3 conductor cable 84" long with Nema 5-15P plug (standard)
Operating Voltage	115-230, VAC 50-60 Hz, single phase
Power	500 watts Maximum
Operating amperage	2.25 amps (115 VAC) 1.25 amps (230 VAC)
Lamp type	Infrared 250 watts maximum, shatterproof design
Safety Listings	
Organizations	

Hanson Brass Products 7530 San Fernando Road, Sun Valley, California, 91352
Toll Free (888) 841-3773, Fax (818) 767-7891 Website: www.hansonbrass.com