



DCM-300BAH-OS


OPTI-SERVE SERIES SANITARY CUBELET ICE MACHINE/DISPENSER



DCM-300BAH-OS
07/02/24
Item # 13285

Item #: _____
 Project: _____
 Qty: _____
 AIA#: _____

Features

- ▶ Durable stainless steel exterior
- ▶ Advanced CleanCycle24™ design 
- ▶ Stainless steel auger with greaseless bearing

- Up to 321 lbs. of ice production per 24 hours
- Built-in storage capacity of 1.3ft³/40 lbs.*
- 2 second flush cycle every hour
- Corrosion resistant stainless steel exterior
- Easy to chew, cubelet ice
- Self-contained design reduces opportunities for cross contamination
- Dispenses ice and water
- R-404A Refrigerant

Warranty:

3 Year Parts & Labor on entire machine.
 5 Year Parts on Compressor; air-cooled condenser coil.
 Valid in United States, Canada, Puerto Rico and U.S. Territories. Contact factory for warranty in other countries.
 *Rated in accordance with AHRI Standard 820(I-P). Capacity based on 100% of total volume x 30 lb/ft³ average density of ice.

Ice Machine Shipping: (LxWxH) 33" x 25.25" X 46" Volume: 22.18ft³

| |
|--|
| W x D x H 26" x 22 ¹ / ₂ " x 40" |
| SD-450 26 ¹ / ₄ " x 22" x 32 ¹ / ₂ " |
| SD-500 25 ⁷ / ₈ " x 22" x 32 ³ / ₄ " |



DCM-300BAH-OS

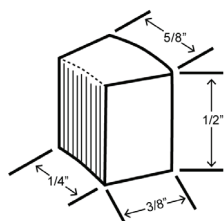
Air-Cooled
Shown with optional
SD-450 Stand

**Hands-free sensor designed for use
with opaque containers.
Not intended for outdoor use - avoid
placement in direct sunlight.*



| Condenser | Model | ICE PRODUCTION | | WATER USAGE | | ELECTRICAL | | | | | | | |
|------------|---------------|---|-----------|---|---|---------------------------------------|------------------------------------|----------|-----------|--|------------------------------|------------------------------|-----------------------------|
| | | Air / Water Lbs. per 24 hours 70°/ 50°F | 90°/ 70°F | Potable Gal. per 100 lbs. 90°/ 70°F | Condenser Gal. per 100 lbs. 90°/ 70°F | kWh Used per 100 lbs. 90°/ 70°F | Min. Circuit/ Max. Fuse Size | Amperage | Voltage | Circuit Wires (including ground) | Heat Rejection BTU/hr. | Refrigerant Charge Amount | Net / Ship Weight (lbs.) |
| Air-Cooled | DCM-300BAH-OS | 321 | 232 | 12.5 | N/A | 6.84 | 20A | 10.25A | 115V/60/1 | 3 | 3,500 | 15.9 oz. | 215 / 220 |

Cubelet Dimensions*



* approximate size in inches, image not to scale

Operating Limits

- Ambient Temp Range 45 - 100°F
- Water Temp Range 45 - 90°F
- Water Pressure 10 - 113 PSIG
- Voltage Range 104 - 127V
- If GFCI is required, a GFCI breaker MUST be used in lieu of GFCI receptacle

Service

- Allow 6" (15 cm) clearance at rear and sides for proper air circulation and ease of maintenance/ service should they be required. Allow 24" (61 cm) clearance at top to allow for removal of the auger.

Not intended for outdoor use - avoid placement in direct sunlight.

Plumbing

- Icemaker Water Supply Line: Minimum 1/4" Nominal ID Copper Water Tubing or Equivalent
- Icemaker Drain Line: Minimum 3/4" Nominal ID Hard Pipe or Equivalent

Water Filter

Please refer to water filter specification sheet for recommendations.

Hoshizaki reserves the right to change specifications without notice.



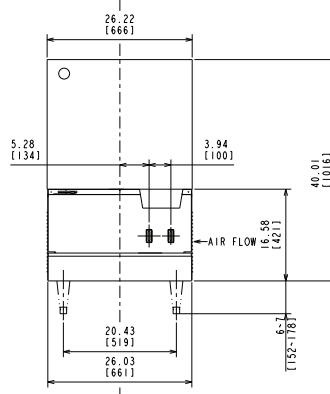
DCM-300BAH-OS

OPTI-SERVE SERIES
SANITARY CUBELET ICE MACHINE/DISPENSER



DCM-300BAH-OS
07/02/24
Item # 13285

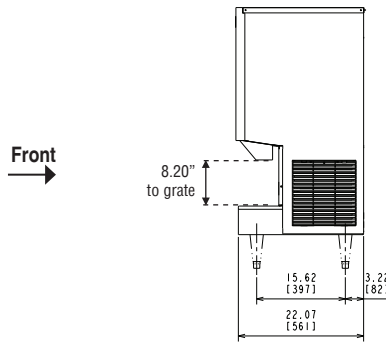
FRONT VIEW



inch
[mm]

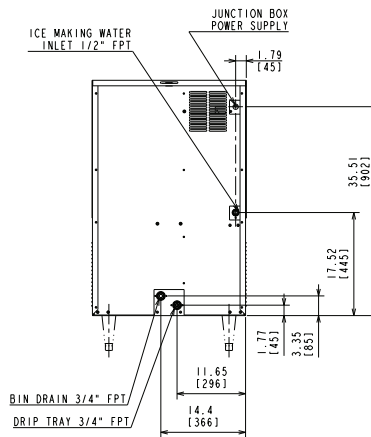
AIR-COOLED

SIDE VIEW



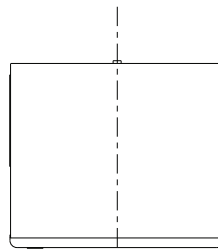
AIR-COOLED

REAR VIEW



AIR-COOLED

TOP VIEW



Front ↑
AIR-COOLED