



DANTE SERIES HEAVY-DUTY FLOOR MODEL GAS CHARBROILERS

SERIES: CHJ



Bakers Pride® CHJ series charbroilers feature the extra heavy-duty construction of the CH series with the added convenience of rear-hinged, steel rod grates for easy cleanup, making it a great choice for high-volume broiling. These charbroilers are constructed with fully welded, extra heavy-duty plate steel for durability and finished with durable Bakertone paint. The 18,000 BTUH burners offer energy efficiency yet high production. The models in this series range in size from 36.5" wide with six burners up to 68" wide with 12 burners. Standard features include cast-iron radiants and many stainless steel elements including burners, side panels, splash guard, heat shield, extra deep grease drawer, and legs with casters. Cast-iron burners are optional.

FEATURES AT A GLANCE

- 18,000 BTUH burners every 5.25" (135 mm)
- Individually operated control valves
- Fully welded, heavy-duty plate steel construction
- Natural gas or liquid propane
- Rear-hinged, steel rod grates
- Cast-iron radiants
- Stainless steel burners, side panels, splash guard, heat shield
- 3.25" (83 mm) deep, stainless steel, slide-out grease drawers/ water pans
- Legs with heavy-duty casters
- 3/4" (19 mm) or 1" (25 mm) NPT rear gas connection
- Pressure regulator
- One-year limited warranty

OPTIONS & ACCESSORIES

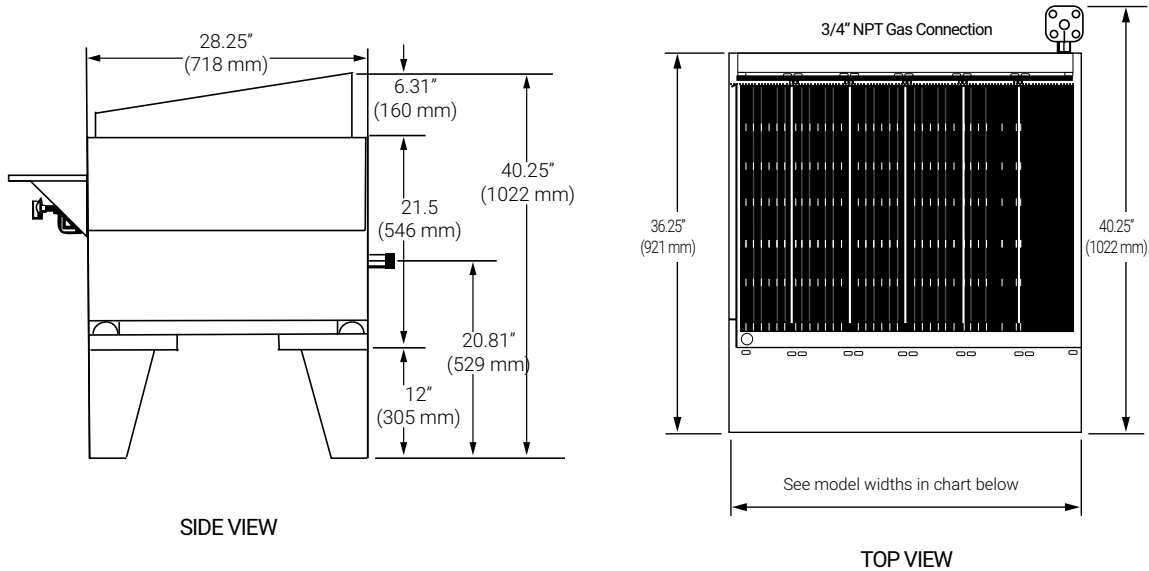
- Gas connector hoses
- Removable griddle plates
- Cast-iron burners
- Stainless steel radiants
- Side gas connections
- Grilling accessories
- Log holders for wood-assisted charbroiling



DANTE SERIES HEAVY DUTY FLOOR MODEL GAS CHARBROILERS

SERIES: CHJ

EQUIPMENT DIMENSIONS



MECHANICAL SPECIFICATIONS

Model #	BTU	KW	# Grates	# Burners	Broiling Area	Overall Dim (W x H x D)*	Carton Dim (W x H x D)	Cubic Feet	Cubic Feet	Ship Wt.
CH-6J	108,000	31.64	2	6	31.5" x 24" (800 x 610)	36.5" x 40" x 40.25" (927 x 1016 x 1022)	52.5" x 37" x 39.5" (1334 x 940 x 1003)	44.4	1.26	570 (259kg)
CH-8J	144,000	42.19	2	8	43" x 24" (1092 x 610)	47.5" x 40" x 40.25" (1207 x 1016 x 1022)	45" x 42" x 44.5" (1143 x 1130 x 1041)	43.2	1.23	700 (317kg)
CH-10J	180,000	52.74	2	10	53.75" x 24" (1365 x 610)	57.75" x 40" x 40.25" (1467 x 1016 x 1022)	60" x 40" x 47.5" (1524 x 1207 x 1016)	65.2	1.84	1125 (510kg)
CH-12J	216,000	63.28	3	12	64.5" x 24" (1638 x 610)	68.25" x 40" x 40.25" (1734 x 1016 x 1022)	71.5" x 40" x 47.5" (1816 x 1016 x 1207)	78.7	2.23	1350 (612kg)

*Height includes 12" (305 mm) legs. Depth includes gas regulator.

REQUIRED CLEARANCES

	Combustible
Left	0"
Right	0"
Back	0"

GAS CONNECTIONS

Model Range	Gas Type	Connection
CH-6J to CH-8J	Natural or LP gas	3/4"
CH10J to CH-12J	Natural or LP gas	1"

Bakers Pride Oven Company, LLC is a wholly owned subsidiary of Standex International Corporation.

Bakers Pride reserves the right to modify specifications or discontinue models without incurring obligation. Dimensions nominal.



Freight Class: 70
FOB: 75013

11.13.2017

