



AIRPOT DIGITAL COFFEE BREWING SYSTEMS

MODEL: D1000GT, D1000GH



Two independently programmable brewing heads PLUS your gourmet roast provides versatility, great taste and brewing simplicity . . . every time.

With the Curtis G3 Coffee Brewing System there is no need for complex brewing adjustments, unless you want them. The simple "scroll-through" programming on the oversized LCD display allows you to effortlessly program the two brewing heads independently of each other. Easily set the brewers to your exacting standards, or use the Curtis' factory settings to deliver ideal results.

When you add it up, the Curtis G3 Airpot Systems offer a host of features that are designed to optimize gourmet coffee's quality and flavor, while reducing maintenance and service. G3 features include...digital temperature and brew-by-volume control, pre-infusion and pulse brew technology, PM alerts, cold water brew lock-out, and much more. From traditional to gourmet roasts, this equals a great cup of coffee, and increased profits. That's the bottom line.

ITEM NO

PROJECT

DATE

FEATURES AT A GLANCE

- **Precise "gourmet" control over all critical functions** — The G3 Digital Control Module provides you the expertise to brew premium gourmet coffee with ease.
- **Versatile Dual Brewing System** — The two brew heads are easily programmed independently of each other.
- **Built-In Fine Tuning Brewing Modes** — Pre-infusion or pulse brew enhances extraction of gourmet coffee flavor. Cold water brew lock-out prevents brewing when water temperature is below set level.
- **Curtis' Exclusive G3 3-Year Warranty** — Provides 3 full years of protection on the digital control components.
- **Out-of-the-Box Operation** — Pre-programmed factory settings deliver ideal results.
- **Reliability you can depend on** — The Digital Control Module is encapsulated in high-tech polymer and is impervious to heat, steam and moisture.
- **Intuitive Scroll-Through Precision Programming** — Large, brightly lighted display communicates functions at a glance. Easily adjust time, volume, temperature, brew functions and more.
- **Tamper Resistant** — Changeable access code prevents unauthorized adjustment.
- **Easy-to-Use** — Simple graphic design with color-coded buttons for all operating functions.
- **Saves Operating Costs** — Energy save mode automatically reduces energy consumption when brewer is idle.
- **Reduce Downtime** — G3 on-board self-diagnostics continually sense proper brewing operation. A Service Phone Number and error code will be displayed in the rare event technical assistance is required.
- **Programmable Display Banner** — Can be set to display your operation's name and message.
- **Quick and Simple Installation** — Standard 120VAC Operation.
- **ThermoPro™ Airpots Keep Coffee Quality at its Peak of Freshness** — High heat retention design maintains temperature without additional warming.

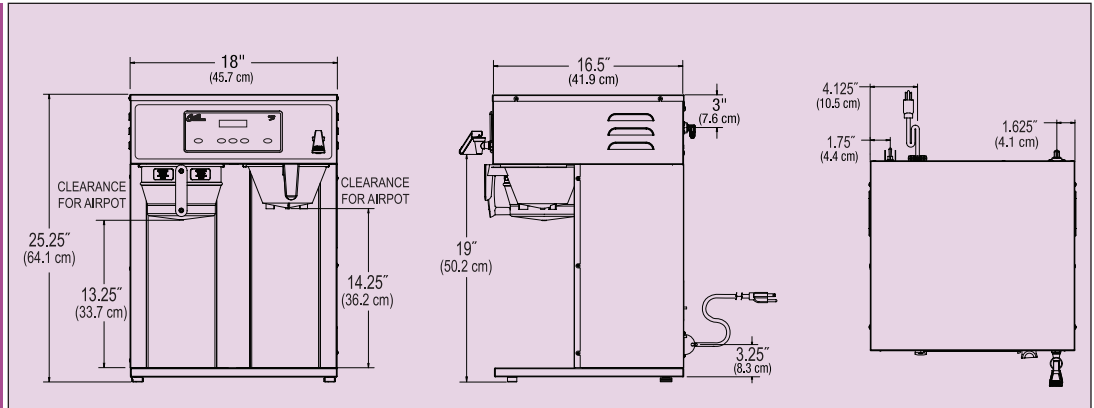
G3
GENERATION
THREE

TWO BREWING HEADS ADDS UP

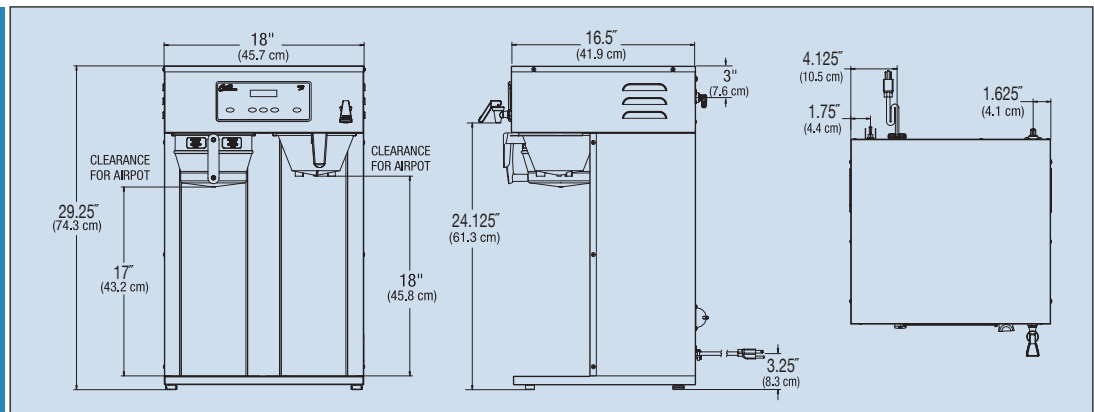
Take advantage of the D1000GT's independently controlled brewing sides. The simple menu system allows you to brew different blends and even volumes at the same time.

Need a full pot of robust gourmet coffee and a half pot of decaf or two blends at different settings at the same time? You have complete control of both brew heads.

D1000GT



D1000GH (Tall Model)



SPECIFICATIONS	D1000GT*	D1000GH (Tall Model)*
Brewing Heads	2	2
Finished Brew Capacity	4.4L (148 oz.) 2.2L (74 oz.) per side	4.4L (148 oz.) 2.2L (74 oz.) per side
Dimensions (HxWxD)	25.25" x 18" x 16.5"	29.25" x 18" x 16.5"
Clearance for Airpot	14.75"	18"
Electrical (Other voltage available. Contact Factory)	220VAC/60Hz 3 Wire Plus Ground	220VAC/60Hz 3 Wire Plus Ground
Power Requirements	5050W/23A	5050W/23A
Cord & Plug	N/A	N/A
Water Inlet**	1/4" Flare	1/4" Flare
Shipping Weight (lbs.)	54	59
Cube (cu. ft.)	7.2	7.9



ThermoPro™ TLXA 2.2L Airpots.
(Sold separately)

Standard and Large Gourmet Brew Cone for extra large throws.



*ThermoPro Airpots NOT included. **Water Filtration Device Recommended.



WILBUR CURTIS COMPANY, INC.

6913 Acco Street, Montebello, CA 90640-5403

Telephone: 800-421-6150 · 323-837-2300

Fax: 323-837-2406

www.wilburcurtis.com

