



## Cooking Performance Group WOK13-LP 13" Liquid Propane Wok Range - 95,000 BTU

#351CPGWOKLP

### FEATURES

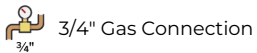
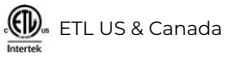
- Adjustable valve delivers 95,000 BTU
- Stainless steel front, sides, 14 3/8" legs and cabinet base
- Standing pilot for instant ignition
- Field convertible to natural gas
- Liquid propane

### TECHNICAL DATA

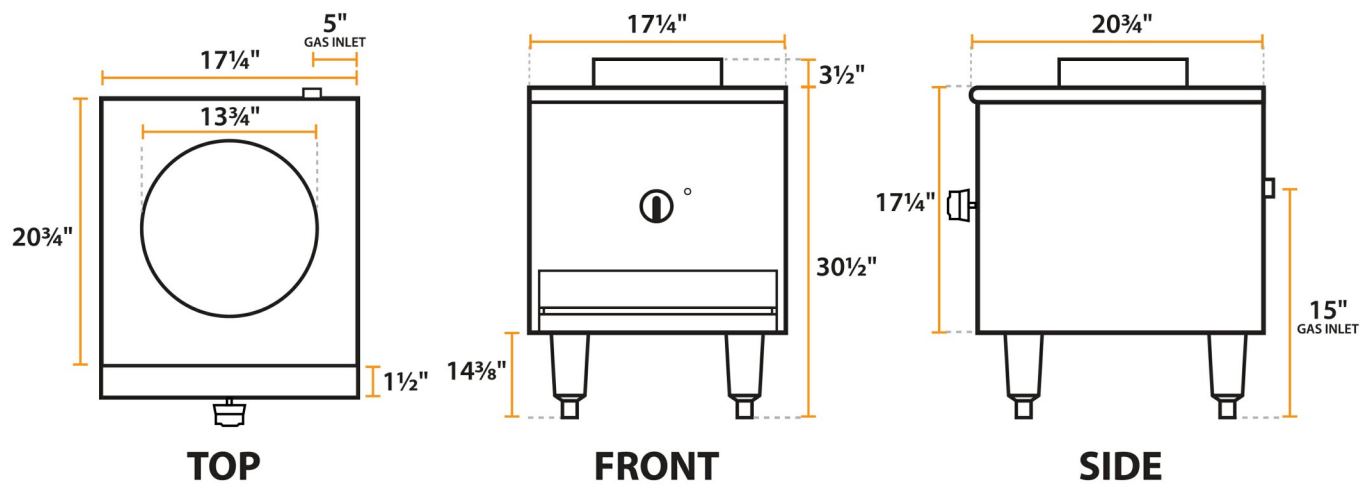
|                   |                |
|-------------------|----------------|
| Width             | 17 1/8 Inches  |
| Depth             | 20 3/4 Inches  |
| Height            | 34 Inches      |
| Burner BTU        | 95000 BTU      |
| Gas Inlet Size    | 3/4 Inches     |
| Installation Type | Freestanding   |
| Number of Burners | 1 Single       |
| Power Type        | Liquid Propane |
| Total BTU         | 95000 BTU      |
| Type              | Wok Ranges     |



### CERTIFICATIONS



## Plan View



## Notes & Details

This Cooking Performance Group WOK13-LP 13" liquid propane wok range allows you to quickly and easily prepare your most delicious stir fries, sautéed dishes, and noodles while taking up minimal space on your countertop! A perfect addition to your buffet, Japanese steakhouse, or catering company, this wok range boasts a powerful 18 tip duck jet burner and delivers up to 95,000 BTUs of cooking power. Designed with a standing pilot for instant ignition, this unit is ready for use whenever you are and adjusts from 32 to 350 degrees Fahrenheit to best fit your cooking needs.

This unit's stainless steel wok attachment measures 13" in diameter to accommodate your largest woks. Its rolled front makes it easy to load, while its gradual slope design helps reduce food spillover during cooking. Boasting a stainless steel front, bottom, and cabinet, this unit provides long-lasting durability and is easy to clean after a busy dinner service. Its convenient removable drip pan collects grease to ensure your countertops stay cleaner during use.

The unit rests sits on  $14\frac{3}{8}$ " legs with adjustable feet to ensure leveling on uneven surfaces. This unit requires a liquid propane connection for operation, but is field convertible to accept natural gas.

**⚠ WARNING:** This product can expose you to chemicals including lead, which are known to the State of California to cause cancer, birth defects, or other reproductive harm. For more information, go to [www.p65warnings.ca.gov](http://www.p65warnings.ca.gov).