

351GTUCPG36L

Cooking Performance Group GTU-CPG-36-L Ultra Series 36" Chrome Plated Liquid Propane 3-Burner Countertop Griddle - 90,000 BTU



Item #: 351GTUCPG36L Qty: _____

Project: _____

Approval: _____ Date: _____

Features

- Limits sticking so that delicate items are delivered at maximum quality
- Chrome plated griddle is easy to clean and takes 45% less time than standard steel plate griddles
- Superior heat retention ensures a cooler kitchen and up to 30% energy savings over standard griddles
- Chrome plate makes for faster cooking at lower temperatures with even heating and no flavor transfer
- Free chrome griddle cleaning kit available above with your purchase



Certifications



ETL Sanitation



3/4" Gas Connection



ETL, US & Canada

Technical Data

Width	36 Inches
Depth	30 Inches
Height	16 5/16 Inches
Cooking Surface Width	36 Inches
Cooking Surface Depth	20 Inches
Backsplash	With Backsplash
Burner BTU	30000 BTU
Burner Style	U-Shaped
Control Type	Thermostatic
Cooking Surface Material	Chrome

351GTUCPG36L

Cooking Performance Group GTU-CPG-36-L Ultra
Series 36" Chrome Plated Liquid Propane 3-Burner
Countertop Griddle - 90,000 BTU



Technical Data

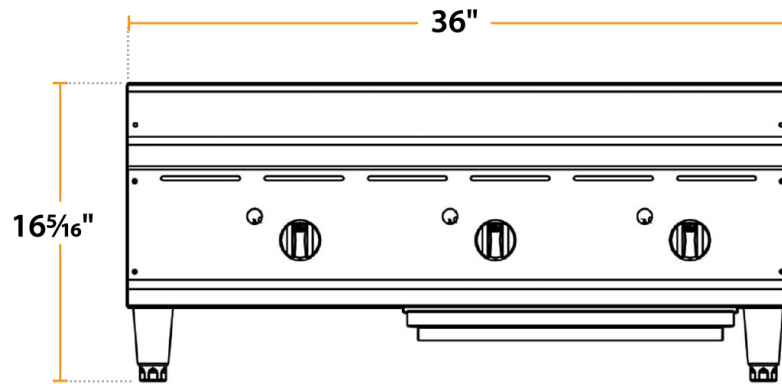
Features	Massachusetts Accepted Plumbing Product
Installation Type	Countertop
Number of Burners	3 Burners
Number of Controls	3 Controls
Plate Thickness	3/4 Inch
Power Type	Liquid Propane
Temperature Range	200 - 575 Degrees F
Temperature Settings	Adjustable
Total BTU	90000 BTU
Type	Griddles
Usage	Medium Duty

351GTUCPG36L

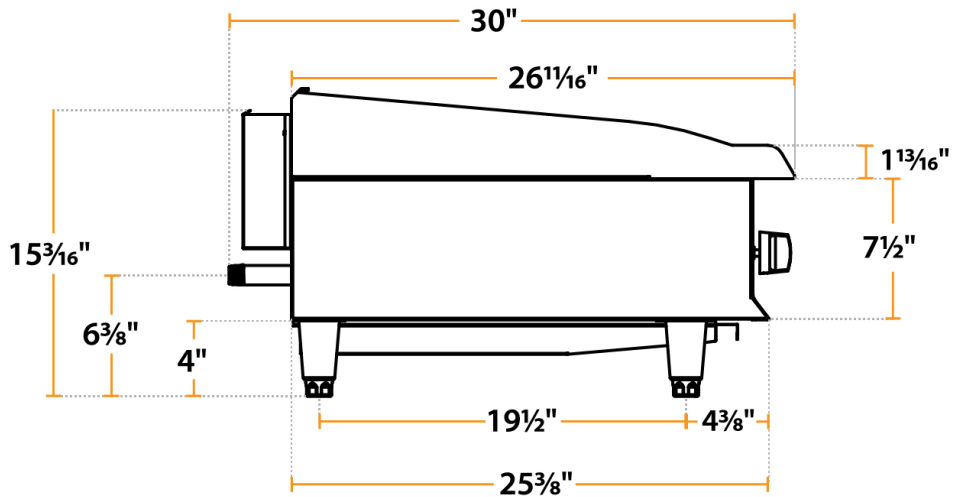
Cooking Performance Group GTU-CPG-36-L Ultra Series 36" Chrome Plated Liquid Propane 3-Burner Countertop Griddle - 90,000 BTU



Plan View



FRONT



SIDE

Cooking Performance Group GTU-CPG-36-L Ultra Series 36" Chrome Plated Liquid Propane 3-Burner Countertop Griddle - 90,000 BTU



Notes & Details

This Cooking Performance Group GTU-CPG-36-L 36" heavy-duty liquid propane 3-burner countertop griddle features energy saving thermostats that are adjustable from 200 to 575 degrees Fahrenheit. With precise temperature controls, it is an excellent choice for delicate breakfast foods like eggs and hotcakes, as well as your lunch menu of chicken, hamburgers, and other meats!

This Cooking Performance Group countertop griddle is made of stainless steel with a chrome plated griddle/cooktop that is both durable and extremely easy to clean, includes back and side splashes to protect your walls and countertops, and even has a full width waste tray to provide you with a complete package of excellent performance and worry-free maintenance! The chrome plated cooktop has an attractive bright and shiny appearance, making it ideal for front-of-house use. The chrome finish will also reduce flavor transfer and has better heat retention than standard steel plate griddles.

The chrome acts as an insulator and reduces the emission of radiant heat. It emits significantly less radiant heat than comparable non-chrome griddle plates. This decreases overall cooking times at lower temperatures and reduces added ambient heat to the kitchen. Unlike steel griddles, the chrome plate griddle does not absorb food particles. This greatly reduces flavor transfer, so ingredients with potent flavors such as onions and garlic will not carry-over into subsequent meals.

Cleaning the griddle is a cinch. Just simply scrape and scrub the griddle with a cleansing solution or water and then wipe off and polish the surface. On average, chrome griddles take 45% less time to clean than standard steel plate griddles. It boasts three powerful 30,000 BTU stainless steel U-shaped burners with standing pilots for instant ignition that work in perfect harmony with the thermostats to maintain your selected griddle temperature during peak cooking periods. Its flame failure protection system guarantees safety and peace of mind. The 3/4" thick, 36" wide chrome plated cooking surface features an impressive 26 11/16" depth that is sure to deliver all of the workspace needed. It has a rear gas connection and ships ready to connect to a liquid propane tank.

To ensure long-lasting service life and optimal performance, use only non-metallic utensils to prevent damage to the cooktop.

⚠ WARNING: This product can expose you to chemicals including lead, which are known to the State of California to cause cancer and birth defects or other reproductive harm. For more information, go to www.p65warnings.ca.gov.