

351GTCPG60NL

Cooking Performance Group GT-CPG-60-NL 60" Gas Countertop Griddle with Thermostatic Controls - 150,000 BTU



Item #: 351GTCPG60NL Qty: _____

Project: _____

Approval: _____ Date: _____

Features

- 5 independently-controlled 30,000 BTU burners
- Standing pilots for instant ignition
- Heavy-duty, 3/4" thick steel griddle plate
- Made of durable, easy-to-clean stainless steel
- Field convertible to liquid propane; includes orifice for connection

Technical Data

Width	60 Inches
Depth	29 5/16 Inches
Height	16 3/4 Inches
Cooking Surface Width	60 Inches
Cooking Surface Depth	20 Inches
Backsplash	With Backsplash
Burner BTU	30000 BTU
Control Type	Thermostatic
Cooking Surface Material	Polished Steel
Features	Massachusetts Accepted Plumbing Product



Certifications



ETL Sanitation



3/4" Gas Connection



Field Convertible (Gas)



ETL, US & Canada

351GTCPG60NL

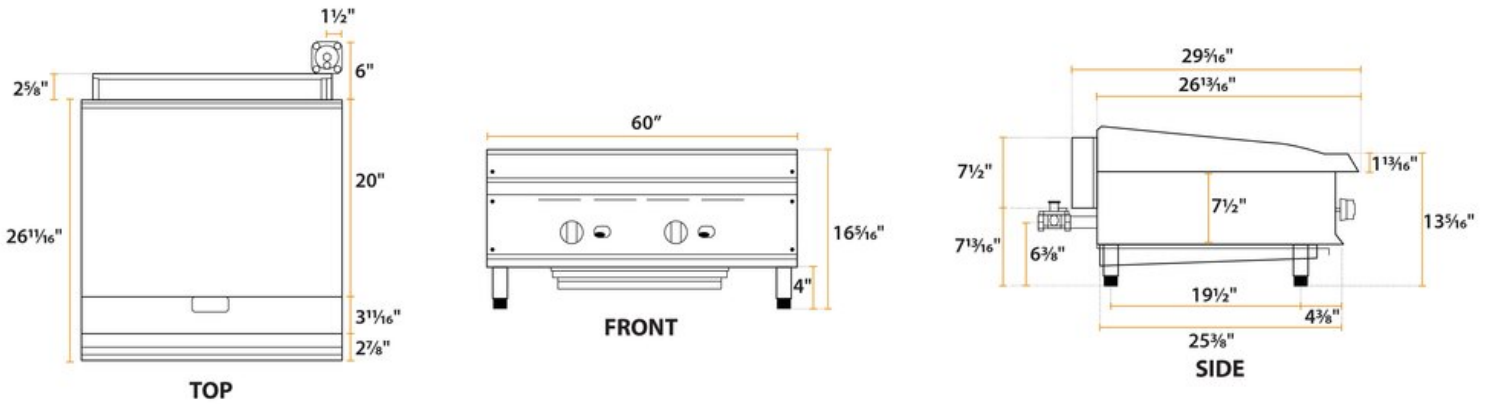
Cooking Performance Group GT-CPG-60-NL 60" Gas Countertop Griddle with Thermostatic Controls - 150,000 BTU



Technical Data

Installation Type	Countertop
Number of Burners	5 Burners
Number of Controls	5 Controls
Plate Thickness	3/4 Inch
Power Type	Natural Gas
Temperature Range	200 - 575 Degrees F
Total BTU	150000 BTU
Type	Griddles
Usage	Medium Duty

Plan View



351GTCPG60NL

Cooking Performance Group GT-CPG-60-NL 60" Gas Countertop Griddle with Thermostatic Controls - 150,000 BTU



Notes & Details

The Cooking Performance Group GT-CPG-60-NL 60" countertop griddle features energy saving thermostats that are adjustable from 200 to 575 degrees Fahrenheit for precise temperature control, making it an excellent choice for delicate breakfast foods like eggs and hotcakes, as well as your lunch menu of chicken, hamburgers, and other meats! The unit boasts 5 powerful 30,000 BTU stainless steel burners with standing pilots for instant ignition that work in perfect harmony with the thermostats to maintain your selected griddle temperature during peak cooking periods. The 3/4" thick, 60" wide polished steel cooking surface features an impressive 20" depth that is sure to deliver all of the cooking workspace needed.

The Cooking Performance Group GT-CPG-60-NL countertop griddle is made of rugged stainless steel that is both durable and extremely easy to clean, includes back and side splashes to protect your walls and countertops, and even offers a full width waste tray to provide you with the complete package of excellent performance and worry-free maintenance! The unit offers a conveniently located 3/4" rear gas connection and ships ready to connect to a natural gas supply. The unit includes a liquid propane orifice kit for quick and easy field conversion.

⚠ WARNING: This product can expose you to chemicals including lead, which are known to the State of California to cause cancer and birth defects or other reproductive harm. For more information, go to www.p65warnings.ca.gov.