

351GMCPG24NL

Cooking Performance Group GM-CPG-24-NL 24" Gas Countertop Griddle with Manual Controls - 60,000 BTU



Item #: 351GMCPG24NL Qty: _____

Project: _____

Approval: _____ Date: _____

Features

- 2 independently-controlled 30,000 BTU burners
- Standing pilots for instant ignition
- Heavy-duty, adjustable feet provide stability
- Made of durable, easy-to-clean stainless steel
- Field convertible to liquid propane; includes orifice for connection

Technical Data

Width	24 Inches
Depth	29 5/16 Inches
Height	16 5/16 Inches
Cooking Surface Width	24 Inches
Cooking Surface Depth	20 Inches
Backsplash	With Backsplash
Burner BTU	30000 BTU
Burner Style	U-Shaped
Control Type	Manual
Cooking Surface Material	Polished Steel



Certifications



ETL Sanitation



3/4" Gas Connection



Field Convertible
(Gas)



ETL, US & Canada

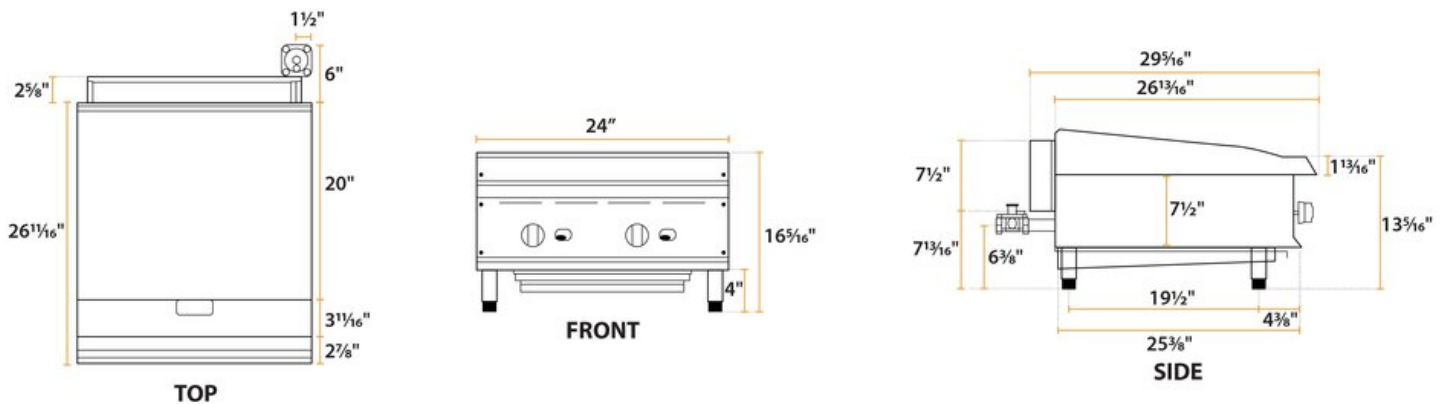
Cooking Performance Group GM-CPG-24-NL 24" Gas Countertop Griddle with Manual Controls - 60,000 BTU



Technical Data

Features	Massachusetts Accepted Plumbing Product
Installation Type	Countertop
Number of Burners	2 Burners
Number of Controls	2 Controls
Plate Thickness	3/4 Inch
Power Type	Natural Gas
Total BTU	60000 BTU
Type	Griddles
Usage	Medium Duty

Plan View



351GMCPG24NL

Cooking Performance Group GM-CPG-24-NL 24" Gas Countertop Griddle with Manual Controls - 60,000 BTU



Notes & Details

This Cooking Performance Group GM-CPG-24-NL 24" countertop griddle boasts two powerful 30,000 BTU stainless steel U-shaped burners with standing pilots for instant ignition that make it a fantastic choice for busy diners, snack bars, concession stands and take-out restaurants! Great for burgers, bacon, cheesesteak, and other meats, this unit's manual controls offers added appeal to experienced chefs who prefer the "feel" of manual controls, while the 3/4" thick, 24" wide polished steel cooking surface features an impressive 20" depth that is sure to deliver all of the workspace needed.

The Cooking Performance Group GM-CPG-24-NL countertop griddle is made of stainless steel that is both durable and extremely easy to clean, includes back and side splashes to protect your walls and countertops, and even has a full width waste tray to provide you with a complete package of excellent performance and worry-free maintenance! It has a 3/4" rear gas connection and ships ready to connect to a natural gas supply, but includes a liquid propane orifice kit for simple field conversion.

⚠ WARNING: This product can expose you to chemicals including lead, which are known to the State of California to cause cancer and birth defects or other reproductive harm. For more information, go to www.p65warnings.ca.gov.